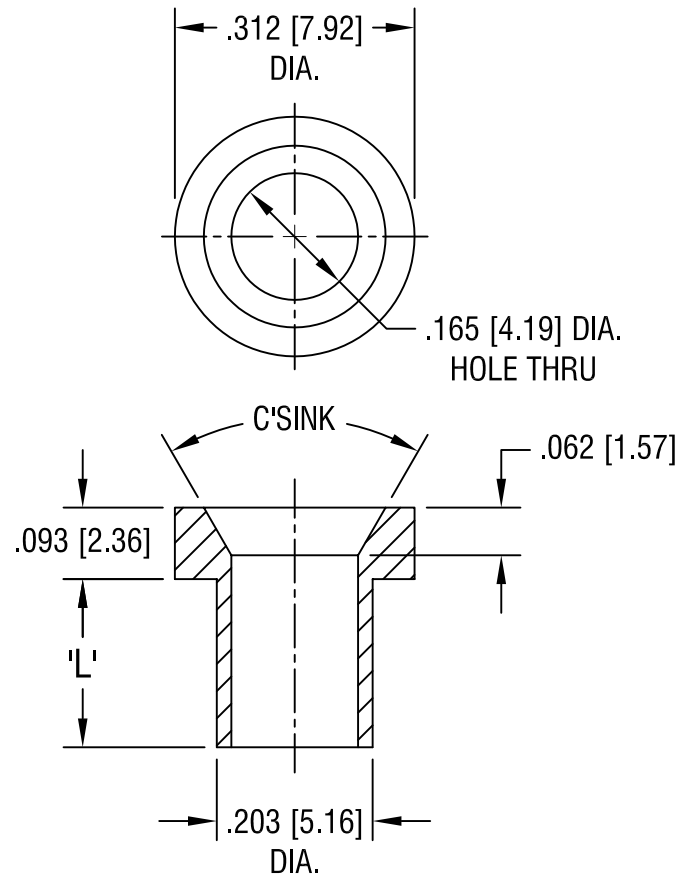


THIS DOCUMENT IS THE PROPERTY OF
KEYSTONE ELECTRONICS CORP. AND
SHALL NOT BE REPRODUCED, DISTRIBUTED
OR USED AS A BASIS FOR MANUFACTURE
WITHOUT PRIOR WRITTEN PERMISSION
FROM KEYSTONE ELECTRONICS CORP.



PART NO.	'L' DIM.
575-4	.218 [5.53]
575-6	.265 [6.73]
575-8	.350 [8.89]

KEYSTONE ELECTRONICS CORP.			
ASTORIA, N.Y. 11105-2017			
PART NAME		NON-INSULATED JACK	
MATERIAL		BRASS	
FINISH	NICKEL PLATE	DRN BY	BOONE
		DATE	2.21.82
		APP'D	LN
		SCALE	4X
TOLERANCES	INCH [MM]	CODE	DWG NO.
DECIMAL	± .005 [± 0.15]	C	575-
ANGULAR	± 1°		
UNLESS OTHERWISE SPECIFIED			

11.7.94	CHANGE AS PER ECR 94-062	B
11.28.84	REVISED	A
DATE	DESCRIPTION	REV.