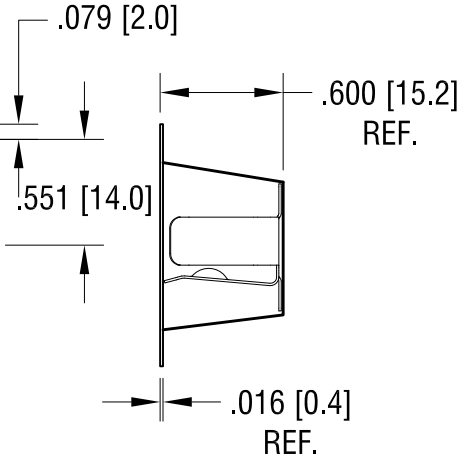
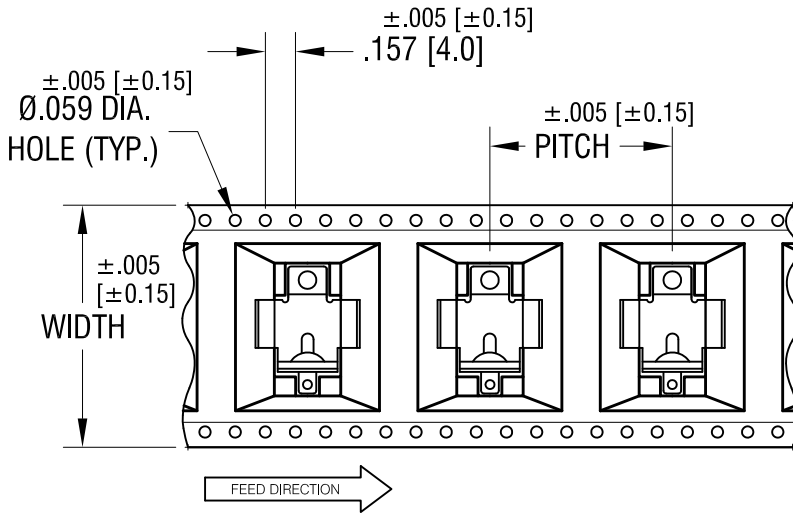
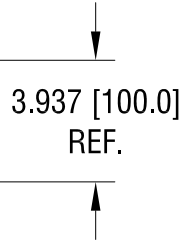
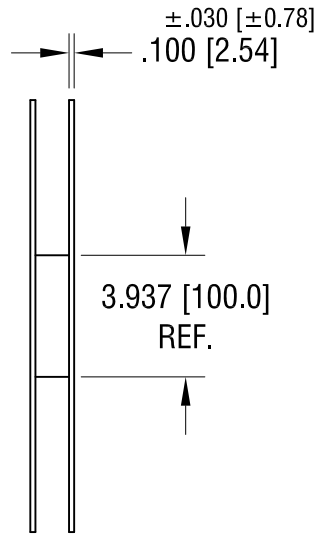
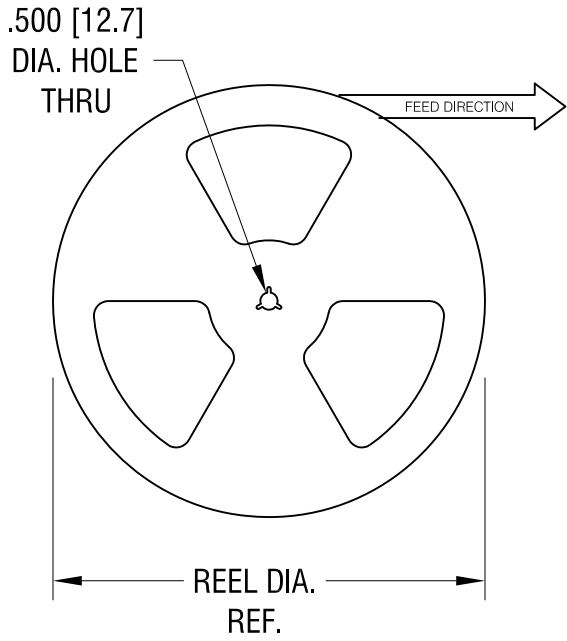


THIS DOCUMENT IS THE PROPERTY OF KEYSTONE ELECTRONICS CORP. AND SHALL NOT BE REPRODUCED, DISTRIBUTED OR USED AS A BASIS FOR MANUFACTURE WITHOUT PRIOR WRITTEN PERMISSION FROM KEYSTONE ELECTRONICS CORP.



NOTES:

TAPE AND REEL SPECIFICATIONS:

1. TAPE:

MAT'L - ALL CONDUCTIVE POLYSTYRENE CARRIER
ANSI/EIA-481 STANDARD
1.26 [32.0] WIDE; .950 [24.0] PITCH

2. REEL:

15.0 [380.8] DIA. 150 PIECES
OF PART NO. 53 PER REEL.

11.17.10	CHANGE AS PER ECN 10-081	B
3.31.09	CHANGE AS PER ECN 09-023	A
DATE	DESCRIPTION	REV.

KEYSTONE ELECTRONICS CORP.			
www.keyelco.com • ASTORIA, N.Y. 11105-2017 • Tel (718) 956-8900			
PART NAME			
"A" & "AA" BATTERY CLIP, ON TAPE & REEL			
MATERIAL			
AS NOTED			
FINISH		DRN BY	DATE
AS NOTED		NT	6.11.08
		APP'D	SCALE
		LN	X
TOLERANCES	INCH [MM]	CODE	DWG NO.
DECIMAL	$\pm .015$ [± 0.38]	C/M	53TR
ANGULAR	$\pm 1^\circ$		
UNLESS OTHERWISE SPECIFIED			