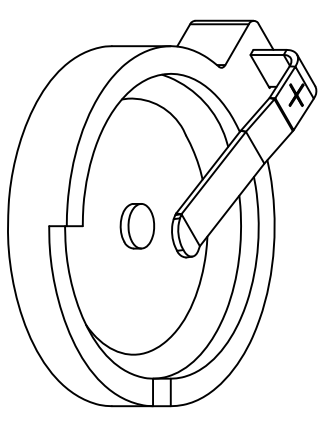
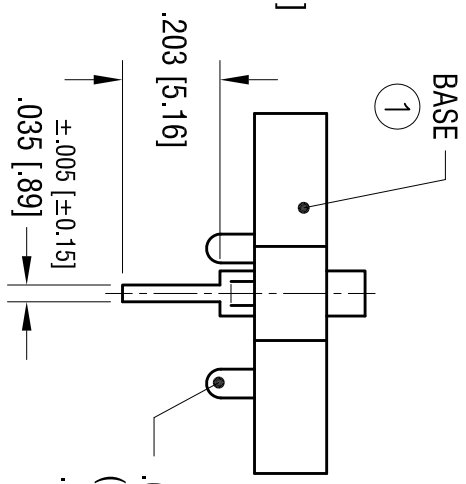
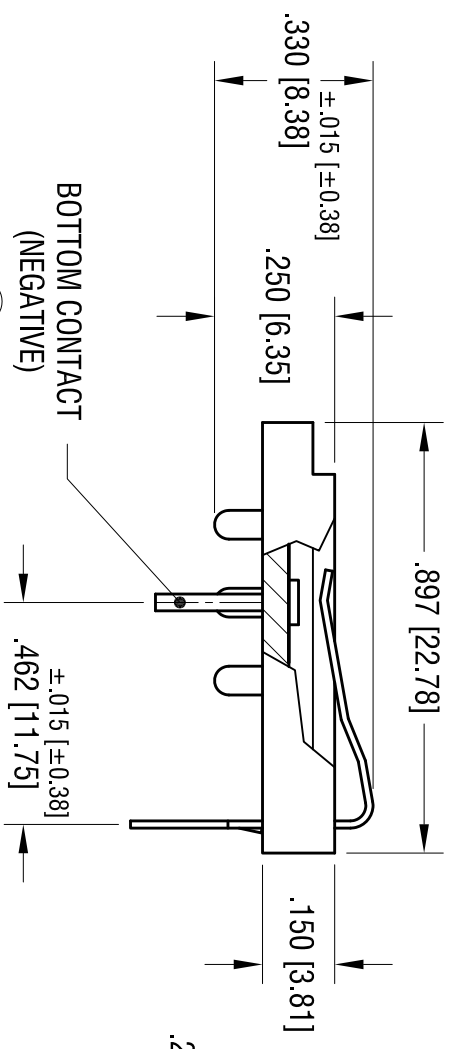
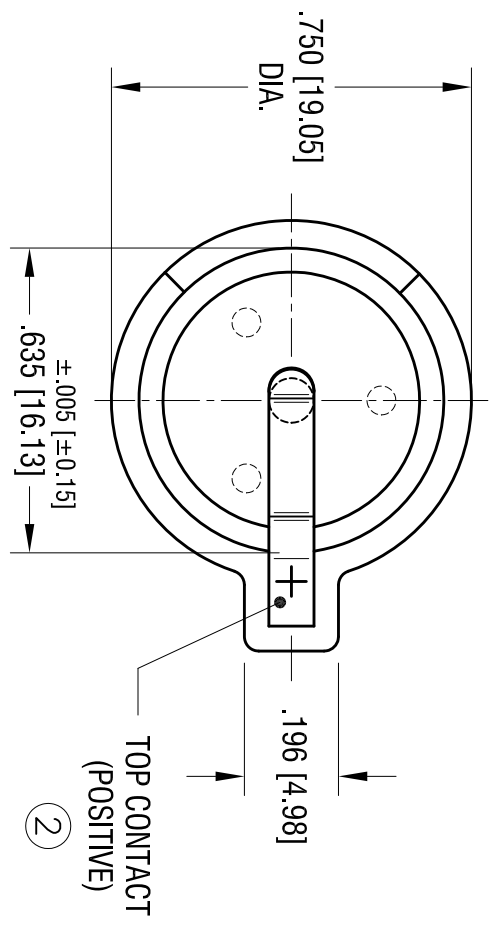


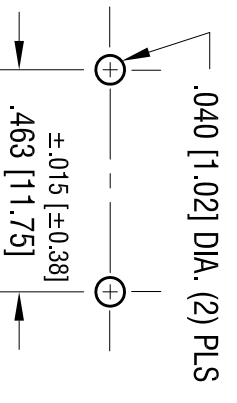
DATE	DESCRIPTION	REV.
11.2.11	CHANGE AS PER ECN 11-144	A



.060 [1.52] DIA. LEG
(3) PLS ON
.375 [2.52] CIRCLE DIA.

THIS DOCUMENT IS THE PROPERTY OF
KEYSTONE ELECTRONICS CORP. AND
SHALL NOT BE REPRODUCED, DISTRIBUTED
OR USED AS A BASIS FOR MANUFACTURE
WITHOUT PRIOR WRITTEN PERMISSION
FROM KEYSTONE ELECTRONICS CORP.

MOUNTING DETAIL



ITEM	DESCRIPTION/MATERIAL
①	BASE, BLACK PBT (UL 94V-0)
②	TOP CONTACT .015 [0.38] THK SPRING STEEL
③	BOTTOM CONTACT .035 [0.89] DIA. STEEL

FINISH
TIN NICKEL PLATE

<p>KEYSTONE ELECTRONICS CORP. www.keystec.com • ASTORIA, N.Y. 11105-2017 • Tel (718) 956-8900</p>			
<p>PART NAME 1632 COIN CELL BATTERY HOLDER</p>			
MATERIAL		AS NOTED	
FINISH		AS NOTED	
<p>FINISH AS NOTED</p>	<p>DRN BY BOONE</p>	<p>DATE 10.10.06</p>	
<p>DECIMAL ± .010 [± 0.25]</p>	<p>App'D LN</p>	<p>SCALE 2.5X</p>	
<p>ANGULAR ± 1°</p>	<p>CODE C</p>	<p>DWG NO. 502-3</p>	
<p>TOLERANCES UNLESS OTHERWISE SPECIFIED</p>			