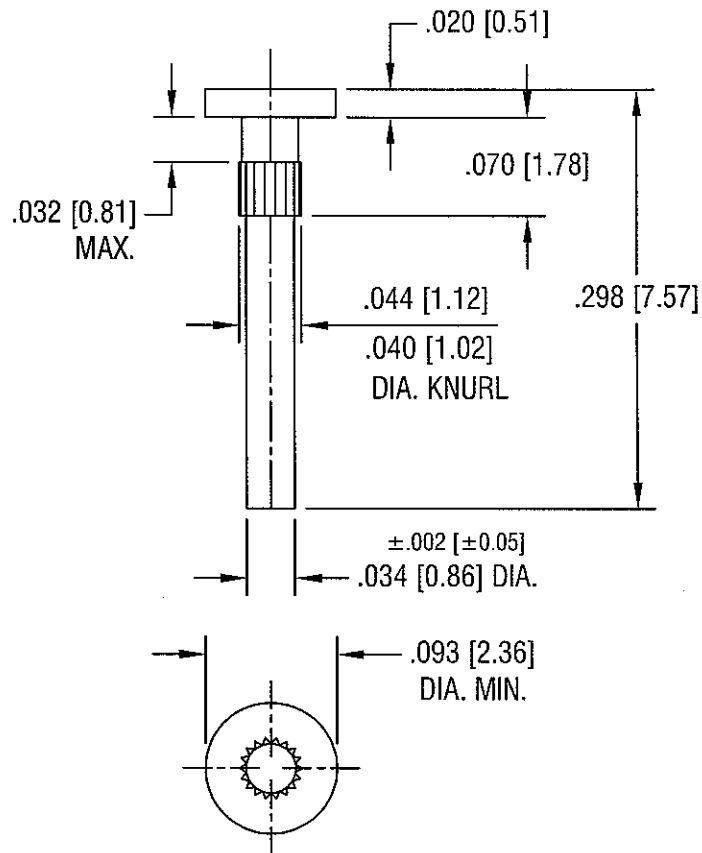


THIS DOCUMENT IS THE PROPERTY OF
KEYSTONE ELECTRONICS CORP. AND
SHALL NOT BE REPRODUCED, DISTRIBUTED
OR USED AS A BASIS FOR MANUFACTURE
WITHOUT PRIOR WRITTEN PERMISSION
FROM KEYSTONE ELECTRONICS CORP.



KEYSTONE ELECTRONICS CORP.			
ASTORIA, N.Y. 11105-2017			
PART NAME			
BOTTOM CONTACT			
MATERIAL			
STEEL			
FINISH		DRN BY	DATE
TIN NICKEL PLATE		BOONE	5.15.91
		APP'D	SCALE
			8X
TOLERANCES		INCH	[MM]
DECIMAL		± .010	[± 0.25]
ANGULAR		± 1°	
UNLESS OTHERWISE SPECIFIED		CODE	DWG NO.
		C	500-3

2.4.05 CHANGE AS PER ECN 05-007

E

DATE

DESCRIPTION

REV.