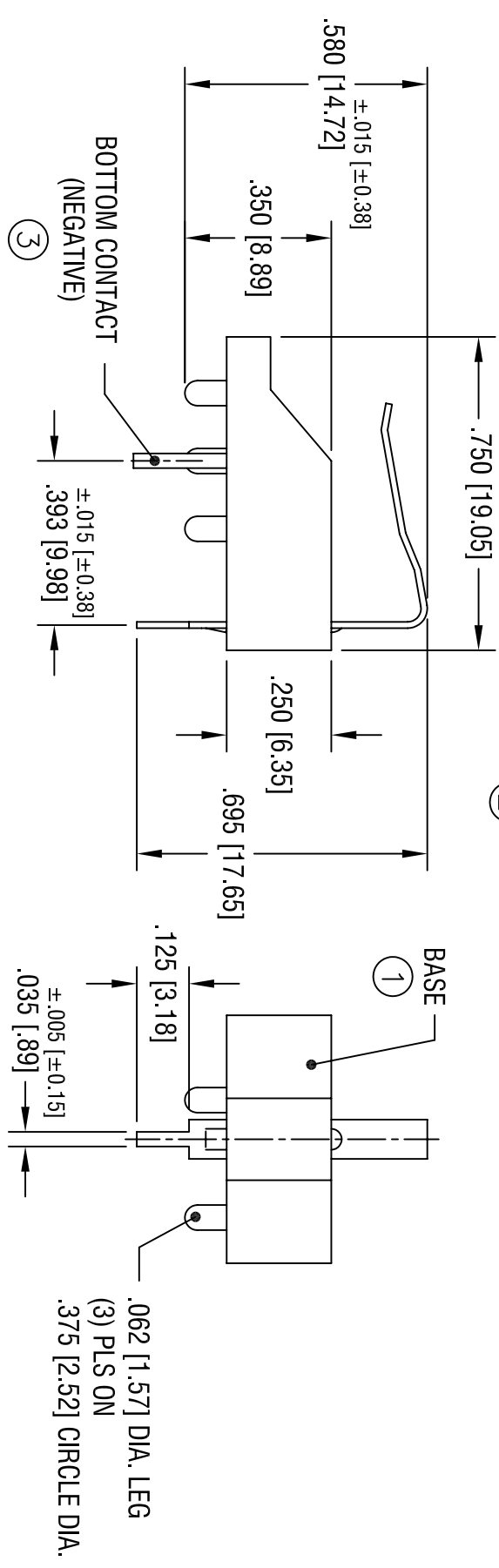
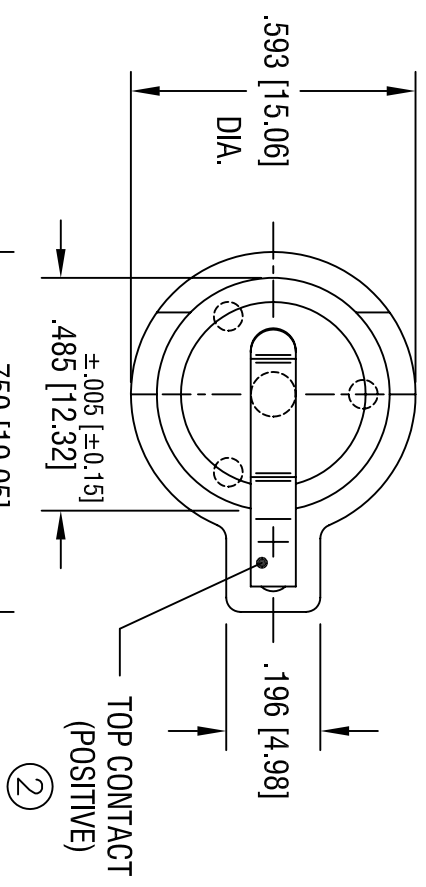


DATE	DESCRIPTION	REV.
2.9.05	CHANGE AS PER ECN 05-012	B



THIS DOCUMENT IS THE PROPERTY OF KEYSTONE ELECTRONICS CORP. AND SHALL NOT BE REPRODUCED, DISTRIBUTED OR USED AS A BASIS FOR MANUFACTURE WITHOUT PRIOR WRITTEN PERMISSION FROM KEYSTONE ELECTRONICS CORP.

**KEYSTONE ELECTRONICS CORP.**

ASTORIA, N.Y. 11105-2017

PART NAME	1/3 IN. PC BATTERY HOLDER	
MATERIAL	AS NOTED	

FINISH	AS NOTED	DRN BY	BOONE	DATE	1.7.97
TOLERANCES	INCH	[MM]	CODE	DWG NO.	499
DECIMAL	± .010	[± 0.25 ]	C		
ANGULAR	± 1°				
UNLESS OTHERWISE SPECIFIED					

ITEM	DESCRIPTION/MATERIAL	FINISH
①	BASE, BLACK PBT (UL 94V-0)	TIN NICKEL PLATE
②	TOP CONTACT .015 [0.38] TH'K SPRING STEEL	
③	BOTTOM CONTACT .035 [0.89] DIA. STEEL	

