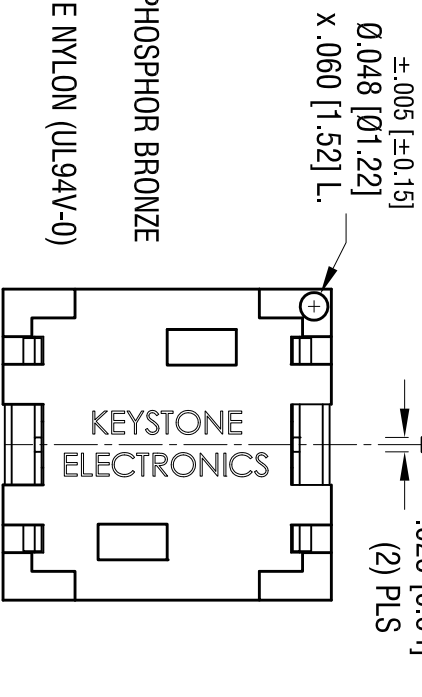
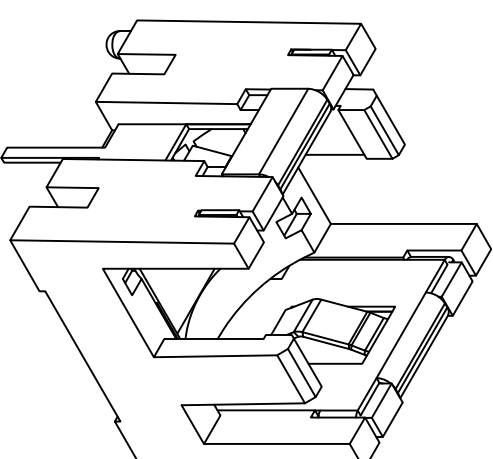
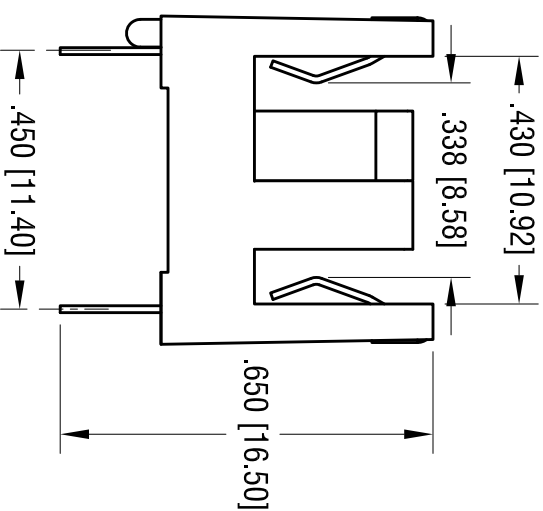
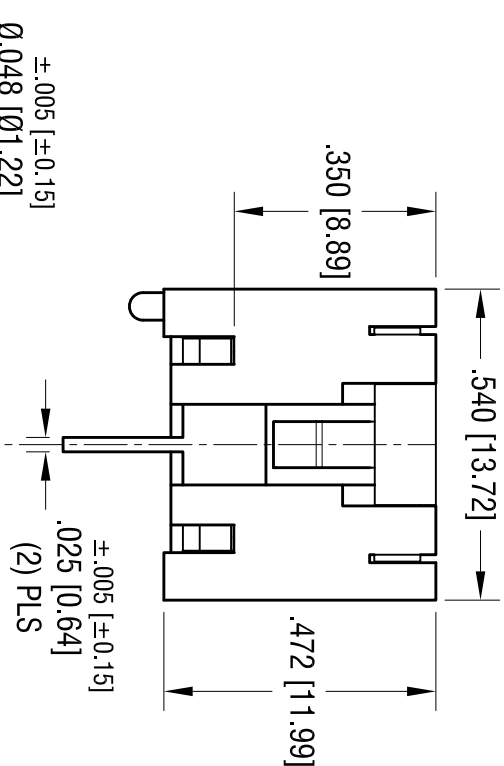
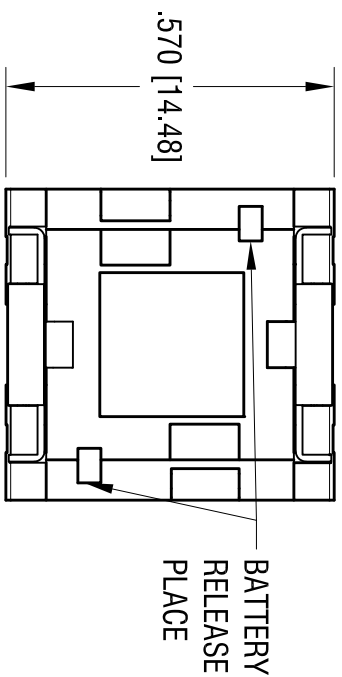
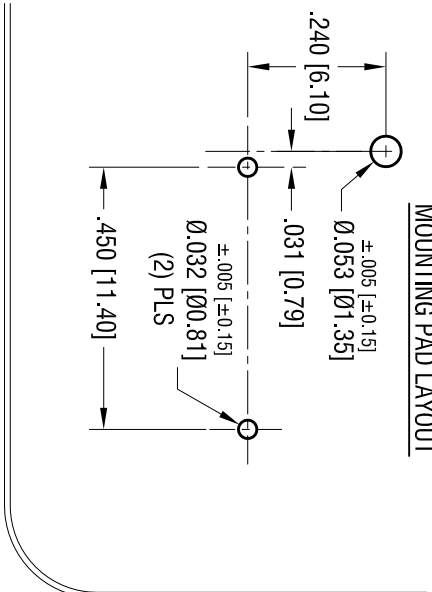


**MOUNTING PAD LAYOUT**



- NOTE:**
1. CONTACT: MAT'L- .012 [0.30]THK PHOSPHOR BRONZE  
FINISH- TIN PLATE
  2. HOUSING: MAT'L- HEAT RESISTANCE NYLON (UL94V-0)

DATE	DESCRIPTION	REV.
4.26.10	CHANGE AS PER ECN 10-031	A

**KEYSTONE ELECTRONICS CORP.**

www.keyelco.com • ASTORIA, N.Y. 11105-2017 • Tel (718) 956-8900

PART NAME

1/3 N HORIZONTAL PC HOLDER

MATERIAL

AS NOTED

FINISH

AS NOTED

TOLERANCES	INCH	[MM]	CODE	DWG NO.
DECIMAL	± .010	[± 0.25 ]	C	
ANGULAR	± 1°			

THIS DOCUMENT IS THE PROPERTY OF KEYSTONE ELECTRONICS CORP. AND SHALL NOT BE REPRODUCED, DISTRIBUTED OR USED AS A BASIS FOR MANUFACTURE WITHOUT PRIOR WRITTEN PERMISSION FROM KEYSTONE ELECTRONICS CORP.

DRN BY	DATE
NT	3.24.09

App'd SCALE 3X

497