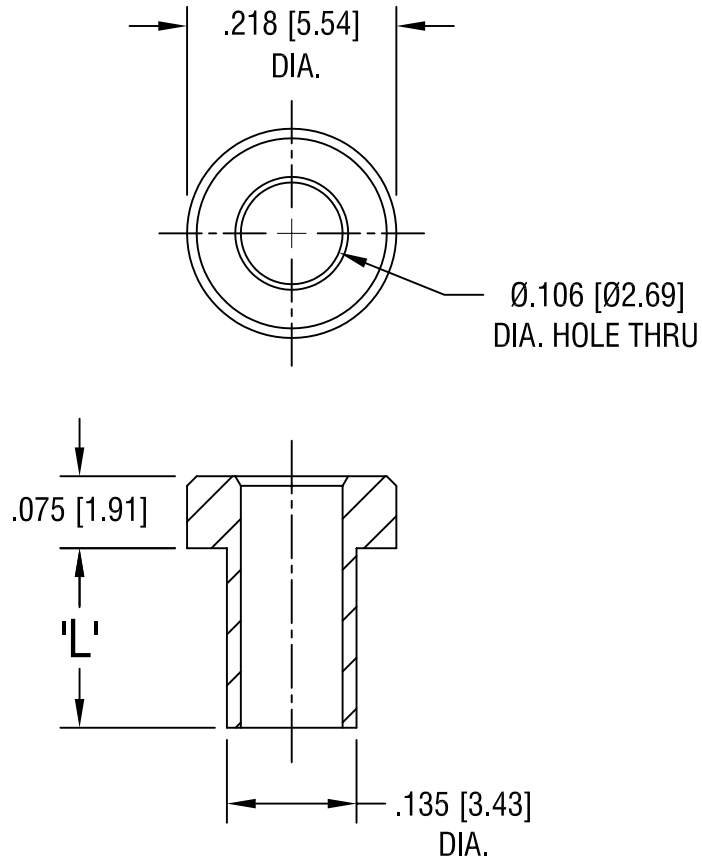


THIS DOCUMENT IS THE PROPERTY OF  
KEYSTONE ELECTRONICS CORP. AND  
SHALL NOT BE REPRODUCED, DISTRIBUTED  
OR USED AS A BASIS FOR MANUFACTURE  
WITHOUT PRIOR WRITTEN PERMISSION  
FROM KEYSTONE ELECTRONICS CORP.



PART NO.	'L' DIM.
476-2	.125 [3.18]
476-3	.165 [4.19]
476-4	.187 [4.75]

<b>KEYSTONE ELECTRONICS CORP.</b>			
ASTORIA, N.Y. 11105-2017			
PART NAME NON-INSULATED MINIATURE JACK			
MATERIAL BRASS			
FINISH TIN PLATE		DRN BY BOONE	DATE 2.16.82
		APP'D LN	SCALE 5X
TOLERANCES INCH [MM]	CODE	DWG NO.	
DECIMAL ± .005 [± 0.15 ]	C	<b>476-</b>	
ANGULAR ± 1°			
UNLESS OTHERWISE SPECIFIED			

8.30.04	CHANGE AS PER ECN 04-078	A
DATE	DESCRIPTION	REV.