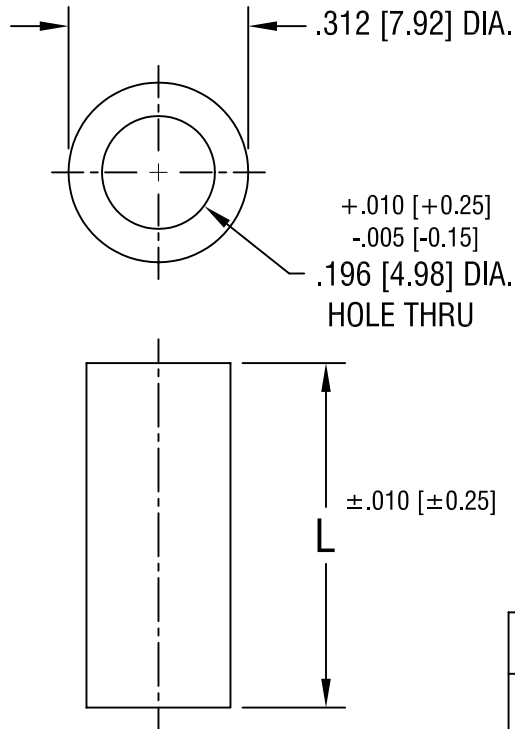


THIS DOCUMENT IS THE PROPERTY OF KEYSTONE ELECTRONICS CORP. AND SHALL NOT BE REPRODUCED, DISTRIBUTED OR USED AS A BASIS FOR MANUFACTURE WITHOUT PRIOR WRITTEN PERMISSION FROM KEYSTONE ELECTRONICS CORP.



| PART NO. | 'L' DIM. |
|----------|---------------|
| 453 | .250 [6.35] |
| 454 | .375 [9.52] |
| 455 | .500 [12.70] |
| 456 | .750 [19.05] |
| 457 | 1.000 [25.4] |
| 458 | 1.500 [30.48] |
| 459 | 2.000 [50.80] |

| | | | |
|-----------------------------------|-----------------|--------|----------------|
| KEYSTONE ELECTRONICS CORP. | | | |
| ASTORIA, N.Y. 11105-2017 | | | |
| PART NAME | | | |
| CLEAR THRU-HOLE SPACER | | | |
| MATERIAL | | | |
| PHENOLIC | | | |
| FINISH | | DRN BY | DATE |
| - | | BOONE | 12.8.97 |
| | | APPD | SCALE |
| | | LN | 3X |
| TOLERANCES | INCH [MM] | CODE | DWG NO. |
| DECIMAL | ± .005 [± 0.15] | C/M | 453-459 |
| ANGULAR | ± 1° | | |
| UNLESS OTHERWISE SPECIFIED | | | |

| | | |
|----------|--------------------------|------|
| 12.27.01 | CHANGE AS PER ECN 01-107 | A |
| DATE | DESCRIPTION | REV. |