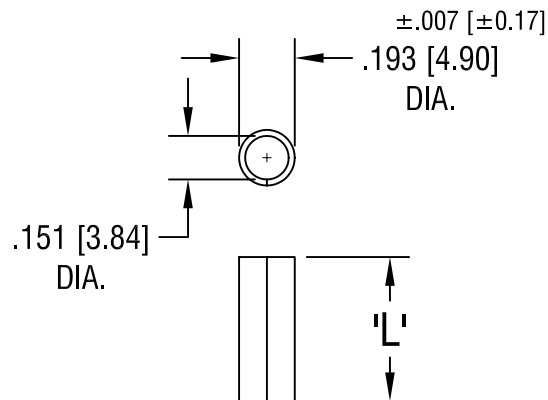


THIS DOCUMENT IS THE PROPERTY OF
KEYSTONE ELECTRONICS CORP. AND
SHALL NOT BE REPRODUCED, DISTRIBUTED
OR USED AS A BASIS FOR MANUFACTURE
WITHOUT PRIOR WRITTEN PERMISSION
FROM KEYSTONE ELECTRONICS CORP.



PART NO.	'L' DIM.
405	.250 [6.35]
406	.312 [7.92]
407	.375 [9.53]
408	.437 [11.10]
409	.500 [12.70]
410	.625 [15.88]

KEYSTONE ELECTRONICS CORP.

ASTORIA, N.Y. 11105-2017

PART NAME

ECONOMY SPACER

MATERIAL

ALUMINUM

FINISH

-

DRN BY

BOONE

DATE

10.30.01

APPD

LN

SCALE

1.5X

TOLERANCES

INCH [MM]

DECIMAL ± .005 [± 0.15]

ANGULAR ± 1°

UNLESS OTHERWISE SPECIFIED

CODE

C/M

DWG NO.

405-410

DATE

DESCRIPTION

REV.