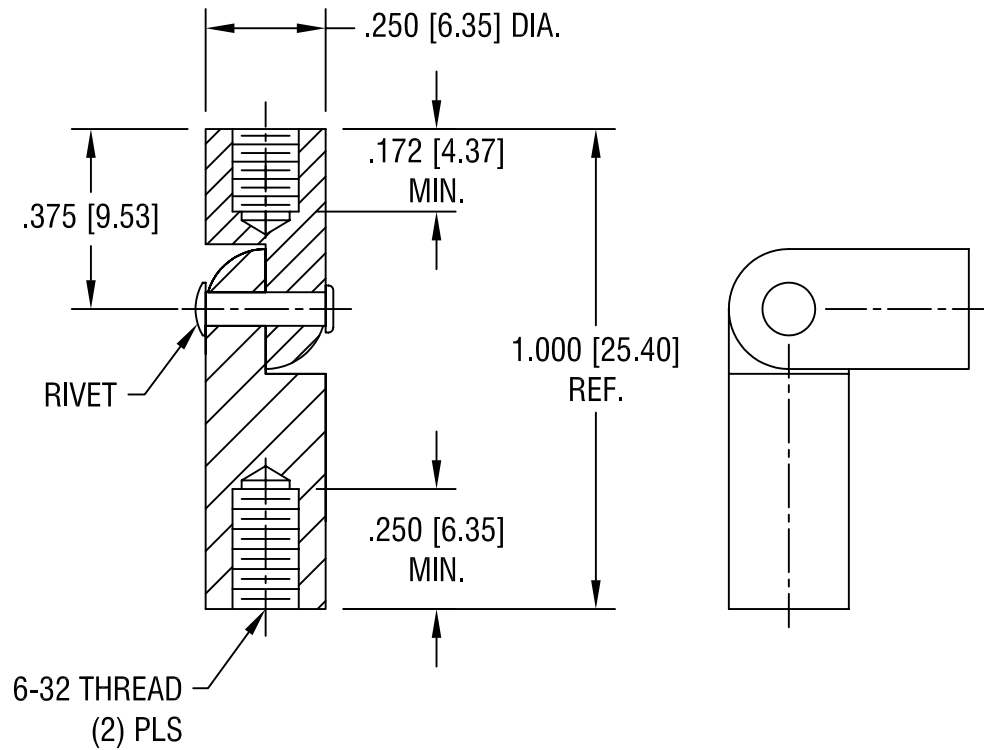


THIS DOCUMENT IS THE PROPERTY OF  
KEYSTONE ELECTRONICS CORP. AND  
SHALL NOT BE REPRODUCED, DISTRIBUTED  
OR USED AS A BASIS FOR MANUFACTURE  
WITHOUT PRIOR WRITTEN PERMISSION  
FROM KEYSTONE ELECTRONICS CORP.



|                                   |                            |        |            |
|-----------------------------------|----------------------------|--------|------------|
| <b>KEYSTONE ELECTRONICS CORP.</b> |                            |        |            |
| ASTORIA, N.Y. 11105-2017          |                            |        |            |
| PART NAME                         |                            |        |            |
| HINGED STANDOFF, FEMALE/FEMALE    |                            |        |            |
| MATERIAL                          |                            |        |            |
| BRASS                             |                            |        |            |
| FINISH                            | ZINC PLATE<br>GOLD IRIDITE | DRN BY | BOONE      |
|                                   |                            | DATE   | 9.18.95    |
|                                   |                            | APP'D  | SCALE      |
|                                   |                            |        | 3X         |
| TOLERANCES                        | INCH [MM]                  | CODE   | DWG NO.    |
| DECIMAL                           | ± .005 [± 0.15]            | C/M    | <b>354</b> |
| ANGULAR                           | ± 1°                       |        |            |
| UNLESS OTHERWISE SPECIFIED        |                            |        |            |

|      |             |      |
|------|-------------|------|
| DATE | DESCRIPTION | REV. |
|      |             |      |