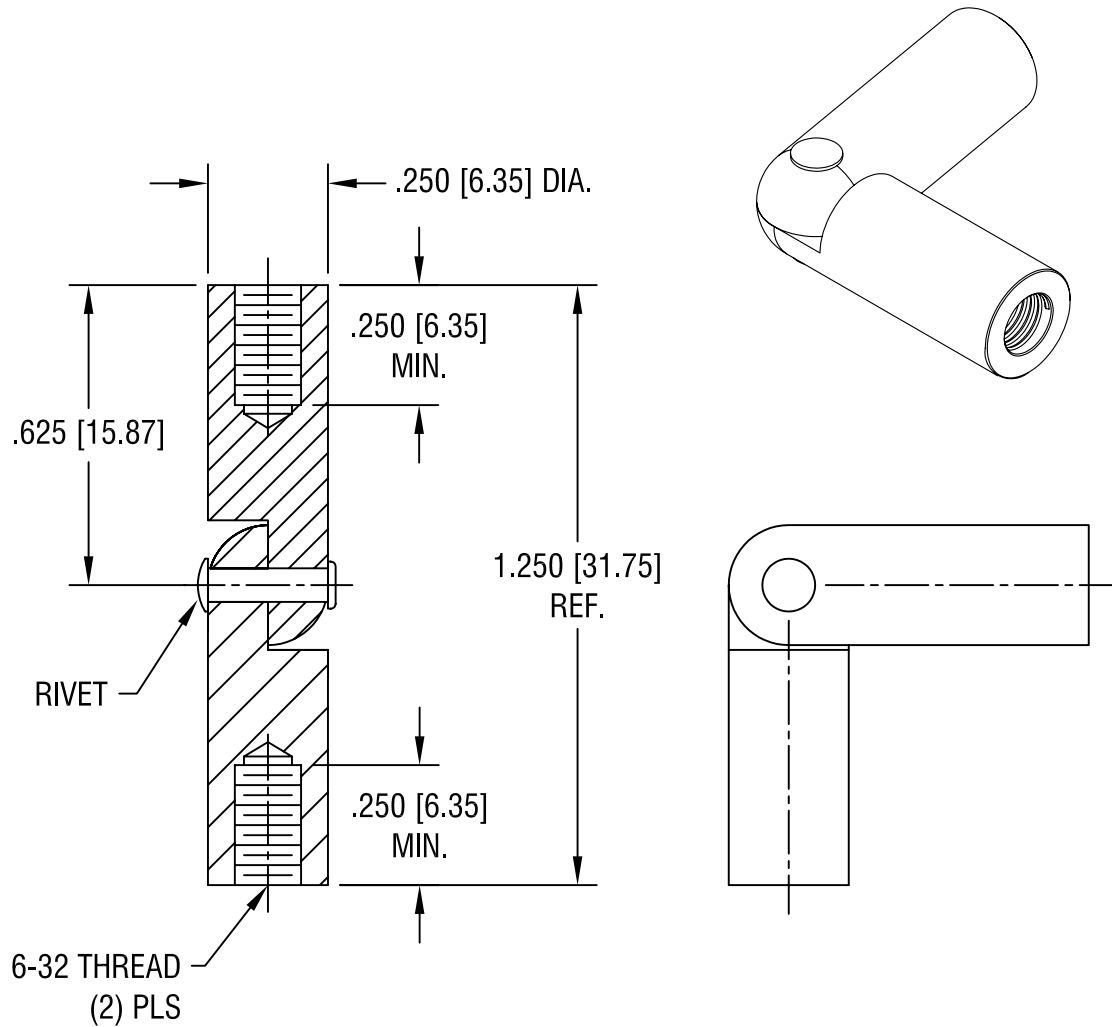


THIS DOCUMENT IS THE PROPERTY OF  
KEYSTONE ELECTRONICS CORP. AND  
SHALL NOT BE REPRODUCED, DISTRIBUTED  
OR USED AS A BASIS FOR MANUFACTURE  
WITHOUT PRIOR WRITTEN PERMISSION  
FROM KEYSTONE ELECTRONICS CORP.



**KEYSTONE ELECTRONICS CORP.**

www.keyelco.com • ASTORIA, N.Y. 11105-2017 • Tel (718) 956-8900

PART NAME  
**HINGED STANDOFF, FEMALE/FEMALE**

MATERIAL  
**BRASS**

FINISH <b>ZINC PLATE WITH YELLOW CHROMATE</b>	DRN BY <b>BOONE</b>	DATE <b>9.18.95</b>
	APP'D <b>LN</b>	SCALE <b>2.5X</b>

9.08.08 | CHANGE AS PER ECN 08-148 | A

TOLERANCES DECIMAL ANGULAR UNLESS OTHERWISE SPECIFIED	INCH [MM] $\pm .005$ [ $\pm 0.15$ ] $\pm 1^\circ$	CODE <b>C</b>	DWG NO. <b>331</b>
--	---	------------------	-----------------------

DATE	DESCRIPTION	REV.
------	-------------	------