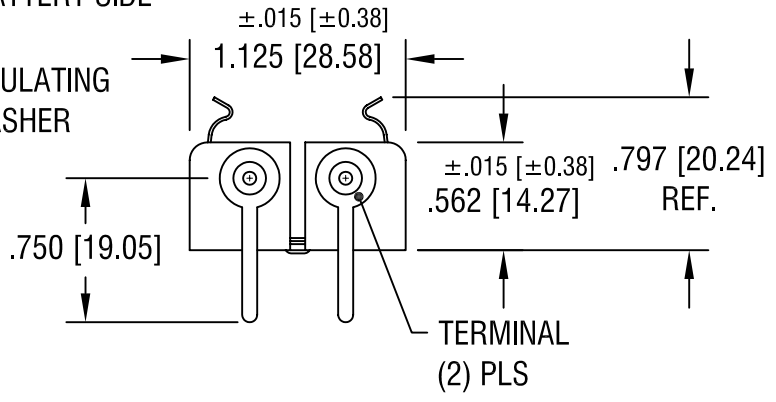
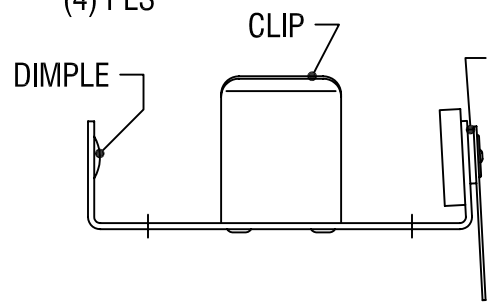
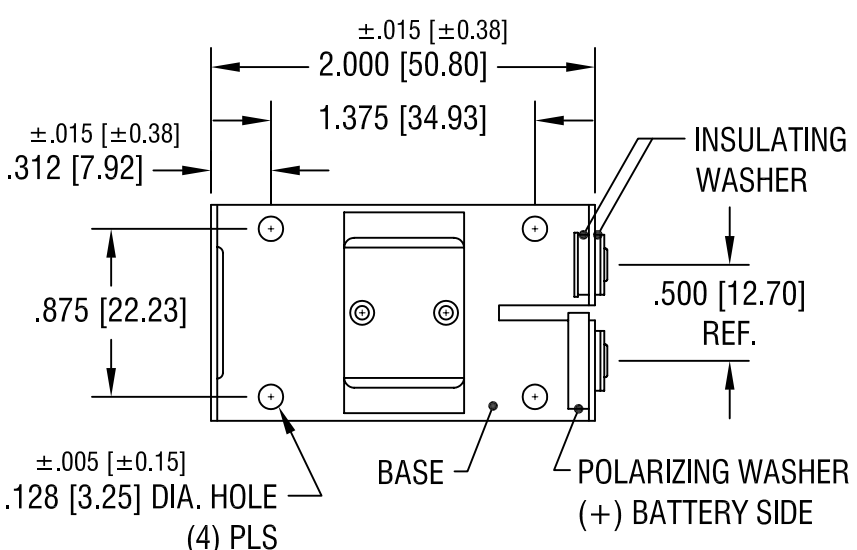
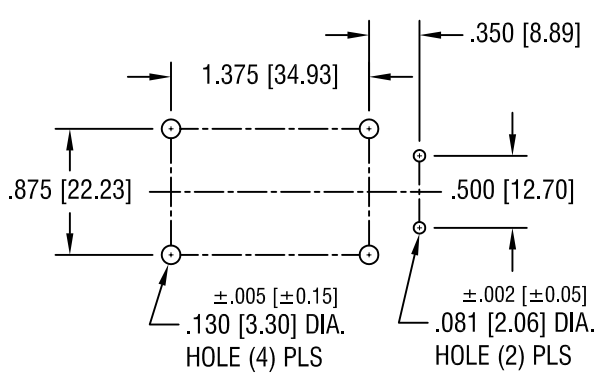


THIS DOCUMENT IS THE PROPERTY OF KEYSTONE ELECTRONICS CORP. AND SHALL NOT BE REPRODUCED, DISTRIBUTED OR USED AS A BASIS FOR MANUFACTURE WITHOUT PRIOR WRITTEN PERMISSION FROM KEYSTONE ELECTRONICS CORP.

MOUNTING DETAIL



NOTES:

- 1. BASE: MAT'L - .032 [.81] TH'K ALUMINUM
- CLIP: MAT'L - .015 [.38] TH'K STEEL, NICKEL PLATE
- TERMINAL: MAT'L - BRASS, TIN PLATE
- EYELET: MAT'L - BRASS, TIN PLATE
- POLARIZING WASHER: MAT'L - POLYETHYLENE, RED

KEYSTONE ELECTRONICS CORP.			
ASTORIA, N.Y. 11105-2017			
PART NAME		9 VOLT PC BATTERY HOLDER	
MATERIAL AS NOTED			
FINISH AS NOTED		DRN BY BOONE	DATE 1.12.07
		APP'D LN	SCALE 1X
TOLERANCES	INCH [MM]	CODE	DWG NO.
DECIMAL	±.010 [±0.25]	C	303-P
ANGULAR	± 1°		
UNLESS OTHERWISE SPECIFIED			

DATE	DESCRIPTION	REV.