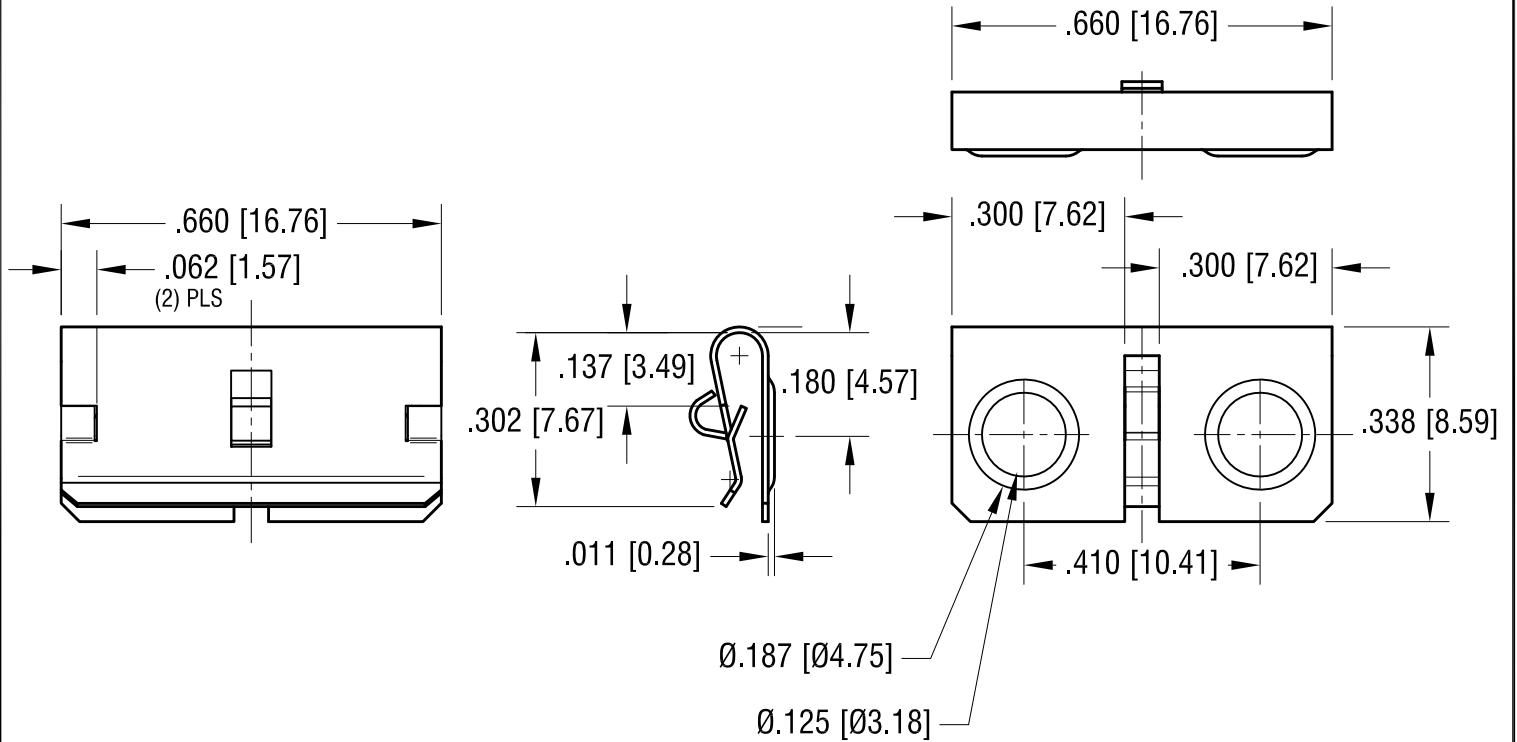
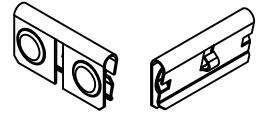


THIS DOCUMENT IS THE PROPERTY OF
KEYSTONE ELECTRONICS CORP. AND
SHALL NOT BE REPRODUCED, DISTRIBUTED
OR USED AS A BASIS FOR MANUFACTURE
WITHOUT PRIOR WRITTEN PERMISSION
FROM KEYSTONE ELECTRONICS CORP.

ACTUAL SIZE



NOTE:

- DESIGNED TO CLIP OVER PANELS
FROM .060 [1.52] THRU .070 [1.78] TH'K.

12.28.15	CHANGE AS PER ECN 15-147 MAT'L WAS SPRING STEEL	B
8.02.12	CHANGE AS PER ECN 12-099	A
DATE	DESCRIPTION	REV.

KEYSTONE ELECTRONICS CORP.			
www.keyelco.com • ASTORIA, N.Y. 11105-2017 • Tel (718) 956-8900			
PART NAME		DUAL 'AAA' CONTACT	
MATERIAL		.010 [0.25] TH'K STAINLESS STEEL	
FINISH		DRN BY	DATE
NICKEL PLATE		BOONE	5.12.05
		APP'D	SCALE
		LN	3X
TOLERANCES	INCH [MM]	CODE	DWG NO.
DECIMAL	$\pm .010$ [± 0.25]	C	294
ANGULAR	$\pm 1^\circ$		
UNLESS OTHERWISE SPECIFIED			