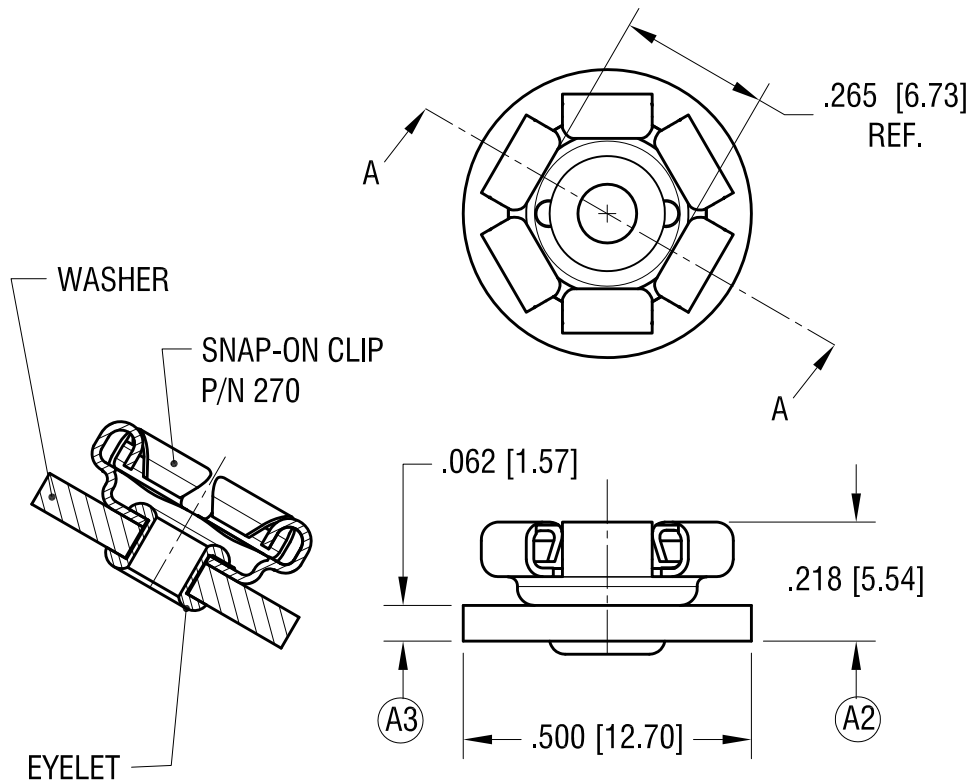


THIS DOCUMENT IS THE PROPERTY OF  
KEYSTONE ELECTRONICS CORP. AND  
SHALL NOT BE REPRODUCED, DISTRIBUTED  
OR USED AS A BASIS FOR MANUFACTURE  
WITHOUT PRIOR WRITTEN PERMISSION  
FROM KEYSTONE ELECTRONICS CORP.

ACTUAL SIZE



NOTE:

- 1. SNAP-ON CONTACT: <sup>(A1)</sup> MAT'L- BRASS  
FINISH-NICKEL PLATE
- 2. WASHER: MAT'L- .062 [1.57] TH'K PHENOLIC
- 3. SNAP-ON CONTACT EYELETED TO WASHER

**KEYSTONE ELECTRONICS CORP.**

www.keyelco.com • ASTORIA, N.Y. 11105-2017 • Tel (718) 956-8900

PART NAME		SNAP-ON	
MATERIAL		AS NOTED	
FINISH	AS NOTED	DRN BY	LN
		APP'D	LN
TOLERANCES		DATE	2.8.82
INCH	[MM]	SCALE	3X
DECIMAL	± .010 [± 0.25 ]	DWG NO.	274
ANGULAR	± 1°	CODE	
UNLESS OTHERWISE SPECIFIED			

5.16.16	REDRAWN IN CAD FORMAT CHANGE AS PER ECN 16-057	B
8.4.93	ADD <sup>(A3)</sup> <sup>(A1)</sup> WAS STEEL, <sup>(A2)</sup> WAS 225	A
DATE	DESCRIPTION	REV.