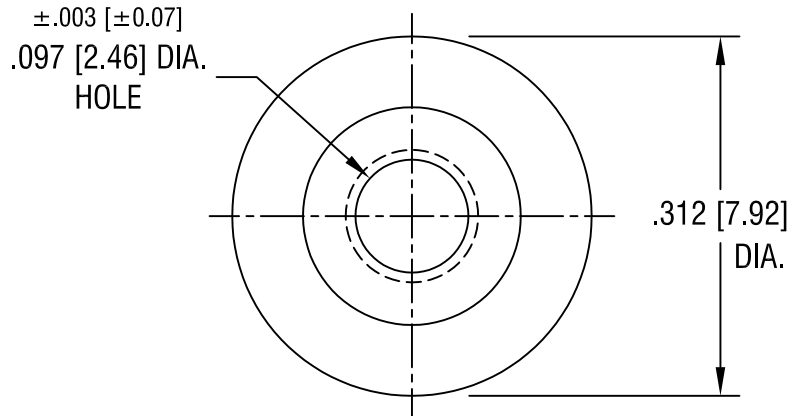
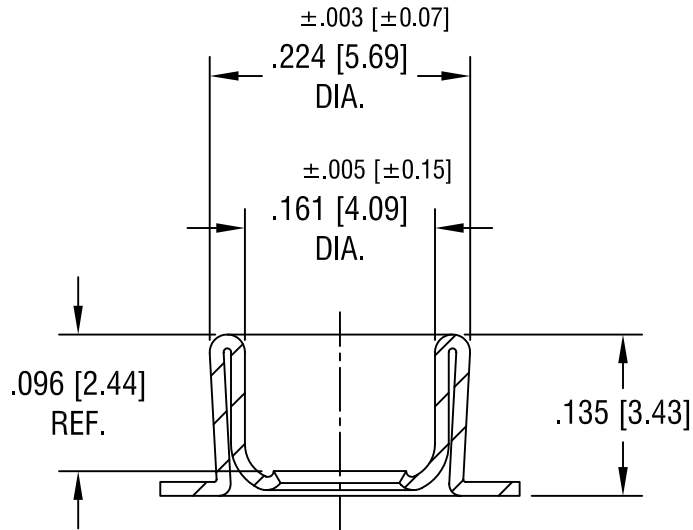


THIS DOCUMENT IS THE PROPERTY OF KEYSTONE ELECTRONICS CORP. AND SHALL NOT BE REPRODUCED, DISTRIBUTED OR USED AS A BASIS FOR MANUFACTURE WITHOUT PRIOR WRITTEN PERMISSION FROM KEYSTONE ELECTRONICS CORP.



NOTE:

- 1. FINISH: ELECTROLESS NICKEL PLATE

2.21.02	CHANGE AS PER ECN 02-014	C
9.24.01	CHANGE AS PER ECN 01-079	B
12.21.98	CHANGE AS PER ECR 98-093	A
DATE	DESCRIPTION	REV.

KEYSTONE ELECTRONICS CORP.			
ASTORIA, N.Y. 11105-2017			
PART NAME		9 VOLT BATTERY STUD	
MATERIAL		.012 [0.30] TH'K STEEL	
FINISH		DRN BY	DATE
AS NOTED		BOONE	2.5.82
		APPD	SCALE
		LN	6X
TOLERANCES	INCH [MM]	CODE	DWG NO.
DECIMAL	±.010 [±0.25]	C	261
ANGULAR	± 1°		
UNLESS OTHERWISE SPECIFIED			