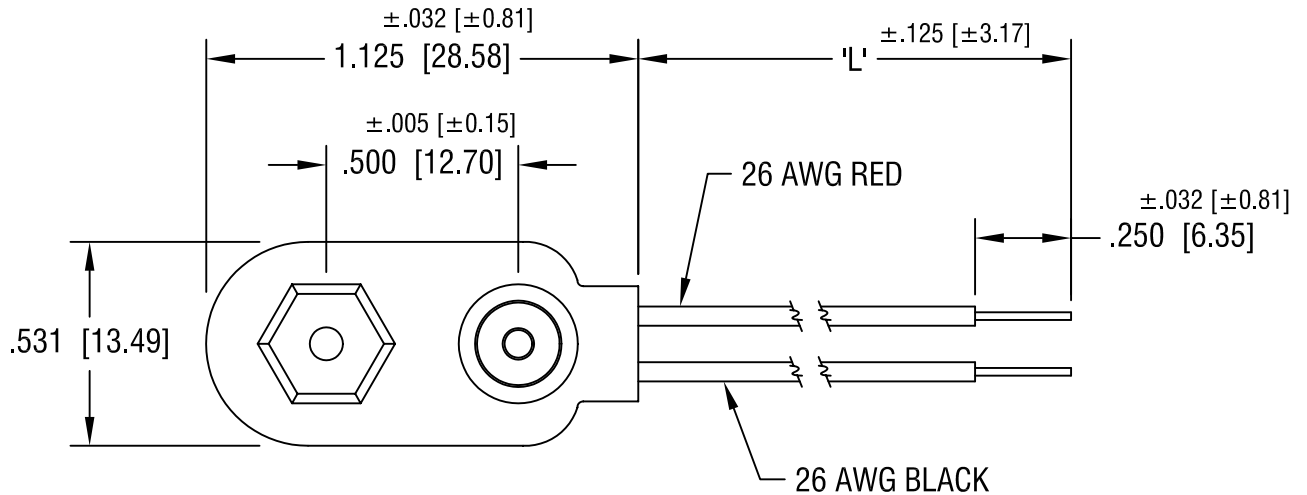


THIS DOCUMENT IS THE PROPERTY OF
KEYSTONE ELECTRONICS CORP. AND
SHALL NOT BE REPRODUCED, DISTRIBUTED
OR USED AS A BASIS FOR MANUFACTURE
WITHOUT PRIOR WRITTEN PERMISSION
FROM KEYSTONE ELECTRONICS CORP.



NOTE:

- MAT'L - WIRE: 26 AWG, 1007 UL/CSA APPROVED
CONTACTS: BRASS, NICKEL PLATE
.012 [0.30] MINIMUM THICKNESS PVC &
.032 [0.81] THICK FIBER INSULATION.
RED WIRE CONNECTED TO FEMALE CONTACT;
BLACK WIRE CONNECTED TO MALE CONTACT.

| PART NO. | 'L' DIM. |
|----------|----------------|
| 232 | 4.000 [101.60] |
| 233 | 6.000 [152.40] |
| 234 | 8.000 [203.20] |

KEYSTONE ELECTRONICS CORP.

ASTORIA, N.Y. 11105-2017

PART NAME

ECONOMY '9' VOLT BATTERY STRAP

MATERIAL

AS NOTED

FINISH

AS NOTED

DRN BY

BOONE

DATE

4.25.95

APPD

LN

SCALE

2X

TOLERANCES

INCH [MM]

DECIMAL ± .015 [± 0.38]

ANGULAR ± 1°

UNLESS OTHERWISE SPECIFIED

CODE

C/M

DWG NO.

232-234

DATE

DESCRIPTION

REV.