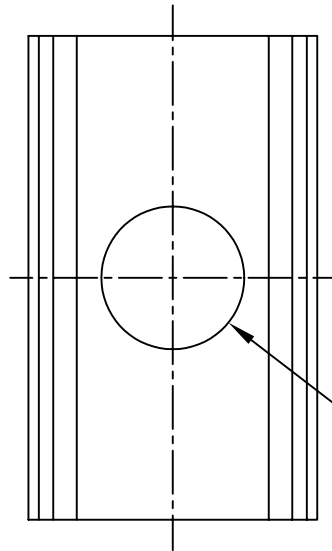
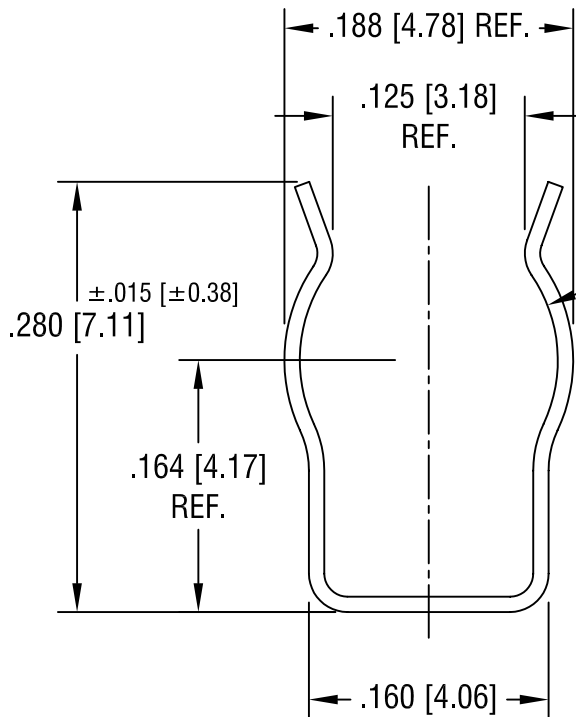


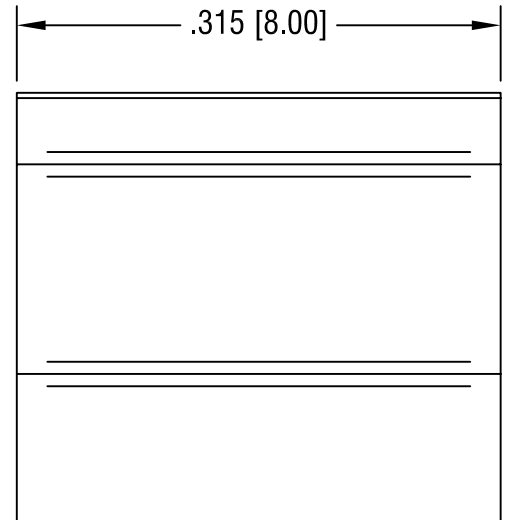
THIS DOCUMENT IS THE PROPERTY OF  
KEYSTONE ELECTRONICS CORP. AND  
SHALL NOT BE REPRODUCED, DISTRIBUTED  
OR USED AS A BASIS FOR MANUFACTURE  
WITHOUT PRIOR WRITTEN PERMISSION  
FROM KEYSTONE ELECTRONICS CORP.



±.005 [±0.15]  
.093 [2.36] DIA.  
HOLE



TO ACCEPT  
.187 [4.75] TO  
.203 [5.16]  
DIAMETERS



**NOTE:**

1. HEAT TREAT TO SPRING TEMPER

**KEYSTONE ELECTRONICS CORP.**

ASTORIA, N.Y. 11105-2017

PART NAME

5mm COMPONENT CLIP

MATERIAL

.010 [.25] TH'K ANNEALED SPRING STEEL

FINISH

NICKEL PLATE

DRN BY

BOONE

DATE

8.23.99

APPD

LN

SCALE

8X

10.16.01 CHANGE AS PER ECN 01-091

A

TOLERANCES

INCH [MM]

CODE

DWG NO.

DECIMAL ±.010 [±0.25]

C

ANGULAR ± 1°  
UNLESS OTHERWISE SPECIFIED

220

DATE

DESCRIPTION

REV.