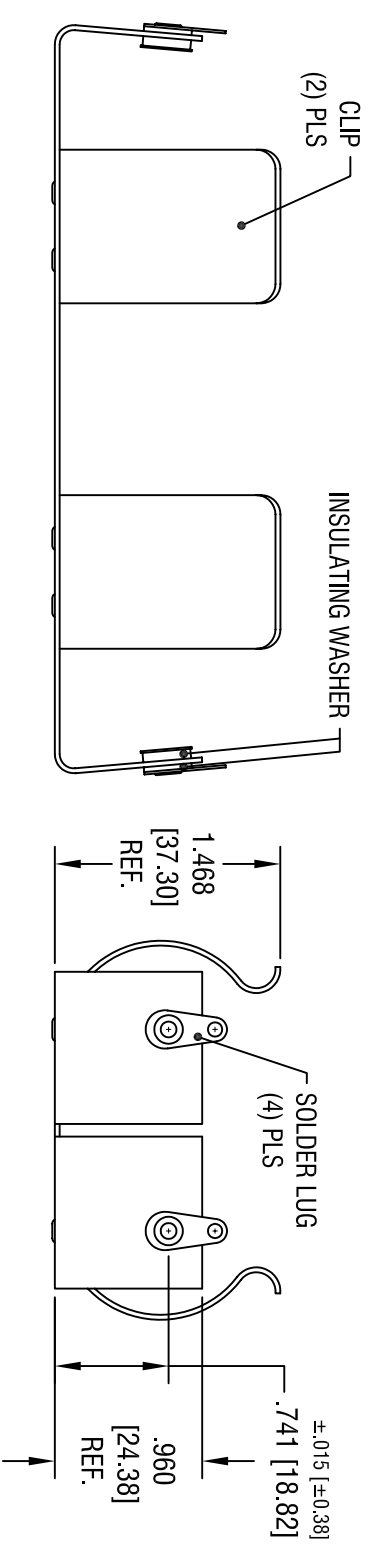
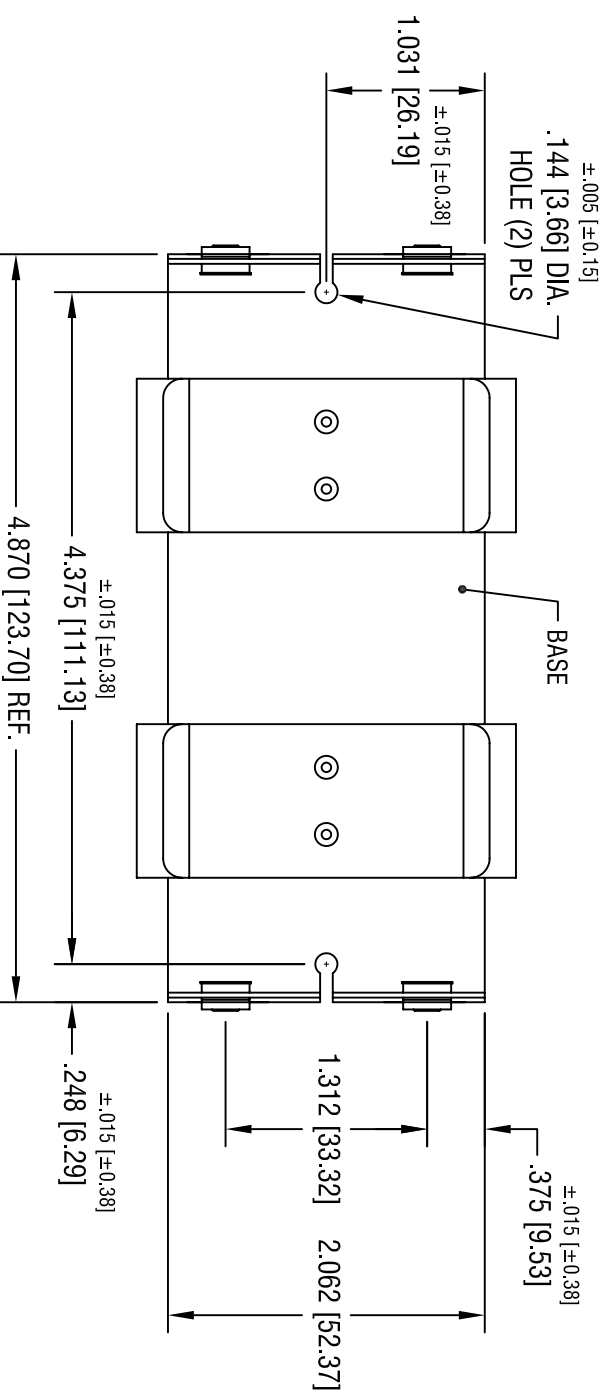


DATE	DESCRIPTION	REV.
10.2.83	REVISED	A



- NOTES:
1. BASE: MAT'L - .032 [.81] THK ALUMINUM
  - CLIP: MAT'L - .032 [.81] THK ALUMINUM
  - SOLDER LUG: MAT'L - BRASS
  - FINISH - TIN PLATE

<b>KEYSTONE ELECTRONICS CORP.</b>			
ASTORIA, N.Y. 11105-2017			
PART NAME		BATTERY HOLDER, (4) D CELLS	
MATERIAL		AS NOTED	
FINISH	AS NOTED	DRN BY	BOONE
TOLERANCES	INCH [MM]	CODE	DWG NO.
DECIMAL	$\pm .010$ [ $\pm 0.25$ ]	C	200
ANGULAR	$\pm 1^\circ$		SCALE
			.8X

THIS DOCUMENT IS THE PROPERTY OF KEYSTONE ELECTRONICS CORP. AND SHALL NOT BE REPRODUCED, DISTRIBUTED OR USED AS A BASIS FOR MANUFACTURE WITHOUT PRIOR WRITTEN PERMISSION FROM KEYSTONE ELECTRONICS CORP.