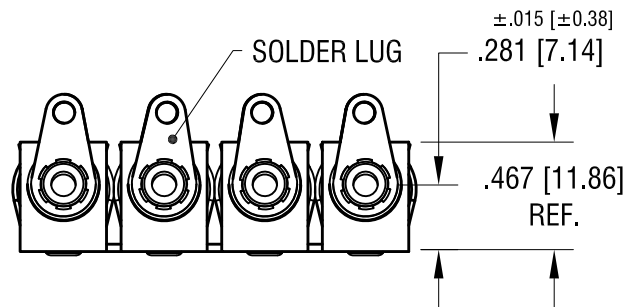
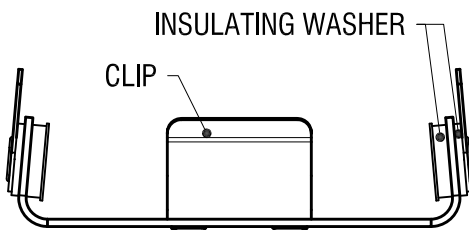
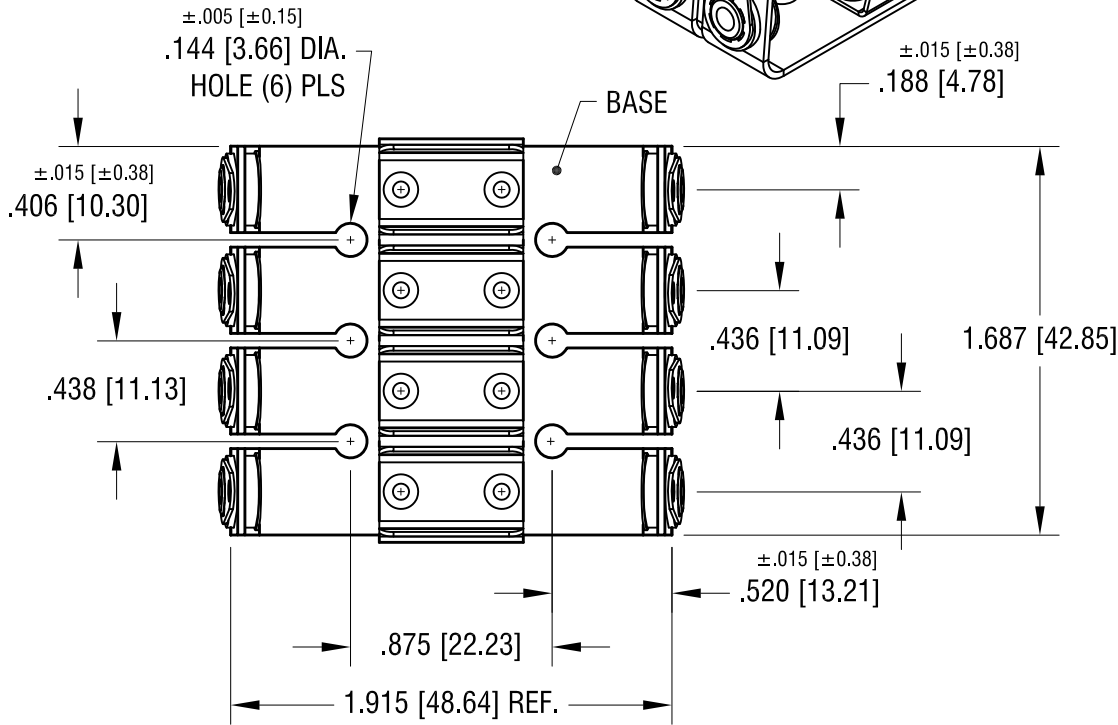
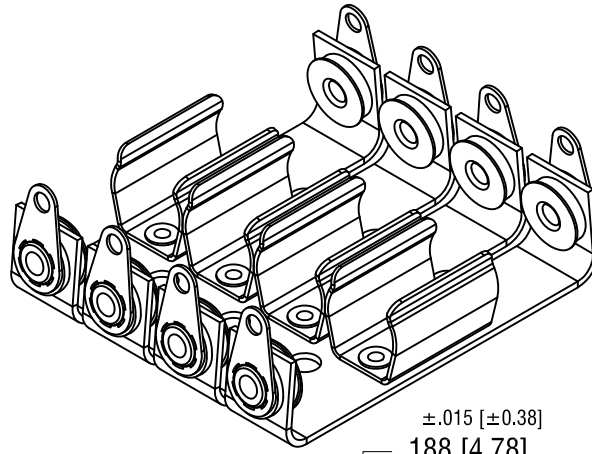


THIS DOCUMENT IS THE PROPERTY OF  
KEYSTONE ELECTRONICS CORP. AND  
SHALL NOT BE REPRODUCED, DISTRIBUTED  
OR USED AS A BASIS FOR MANUFACTURE  
WITHOUT PRIOR WRITTEN PERMISSION  
FROM KEYSTONE ELECTRONICS CORP.



NOTES:

- 1. BASE: MAT'L -  $.032 [0.81]$  TH'K ALUMINUM
- CLIP: MAT'L -  $.020 [0.50]$  TH'K ALUMINUM
- SOLDER LUG: MAT'L - BRASS
- FINISH - TIN PLATE

1.11.12	CHANGE AS PER ECN 12-003	A
DATE	DESCRIPTION	REV.

<b>KEYSTONE ELECTRONICS CORP.</b>			
www.keyelco.com • ASTORIA, N.Y. 11105-2017 • Tel (718) 956-8900			
PART NAME BATTERY HOLDER (4) 'AAA'			
MATERIAL AS NOTED			
FINISH AS NOTED		DRN BY BOONE	DATE 3.15.07
		APP'D LN	SCALE 1.2X
TOLERANCES	INCH [MM]	CODE	DWG NO.
DECIMAL	$\pm .010 [\pm 0.25]$	C	
ANGULAR	$\pm 1^\circ$		
UNLESS OTHERWISE SPECIFIED			
			<b>170</b>