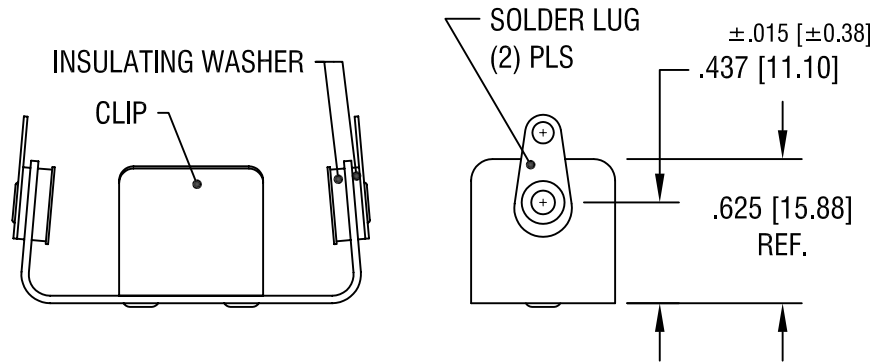
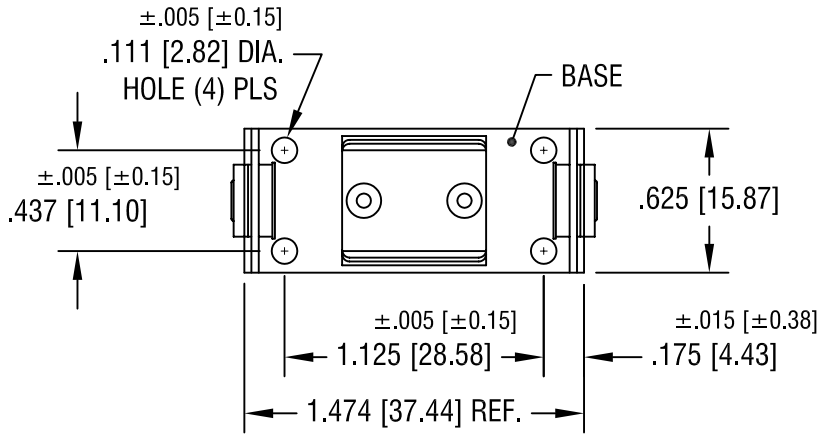
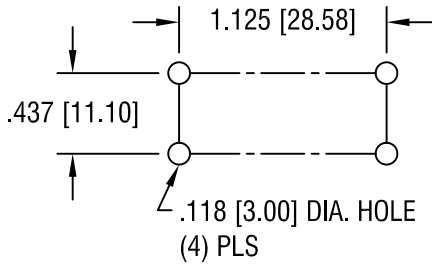


THIS DOCUMENT IS THE PROPERTY OF
KEYSTONE ELECTRONICS CORP. AND
SHALL NOT BE REPRODUCED, DISTRIBUTED
OR USED AS A BASIS FOR MANUFACTURE
WITHOUT PRIOR WRITTEN PERMISSION
FROM KEYSTONE ELECTRONICS CORP.

MOUNTING DETAIL



NOTES:

- 1. BASE: MAT'L - .032 [.81] TH'K ALUMINUM
- CLIP: MAT'L - .020 [.50] TH'K ALUMINUM
- SOLDER LUG: MAT'L - BRASS
- FINISH - TIN PLATE

KEYSTONE ELECTRONICS CORP.

ASTORIA, N.Y. 11105-2017

PART NAME				BATTERY HOLDER, '2/3 A'			
MATERIAL				AS NOTED			
FINISH		DRN BY		DATE		SCALE	
AS NOTED		BOONE		12.11.81		1.2X	
TOLERANCES		INCH		[MM]		CODE	
DECIMAL		±.010		[±0.25]		C/M	
ANGULAR		± 1°		UNLESS OTHERWISE SPECIFIED		DWG NO.	
UNLESS OTHERWISE SPECIFIED						132	

3.12.07	CHANGE AS PER ECN 07-012	C
DATE	DESCRIPTION	REV.