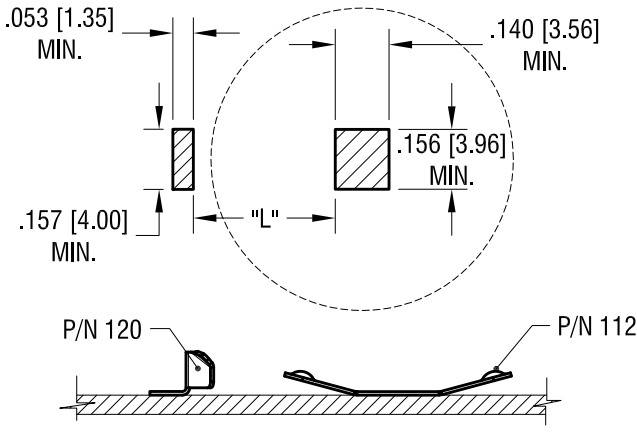
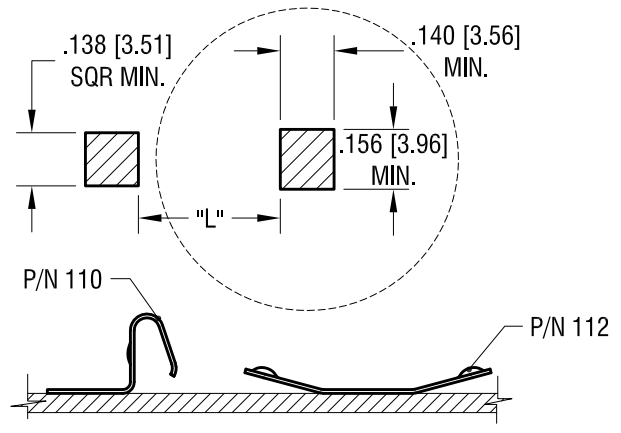


THIS DOCUMENT IS THE PROPERTY OF KEYSTONE ELECTRONICS CORP. AND SHALL NOT BE REPRODUCED, DISTRIBUTED OR USED AS A BASIS FOR MANUFACTURE WITHOUT PRIOR WRITTEN PERMISSION FROM KEYSTONE ELECTRONICS CORP.



MTG LAY OUT WHEN USE WITH P/N 120

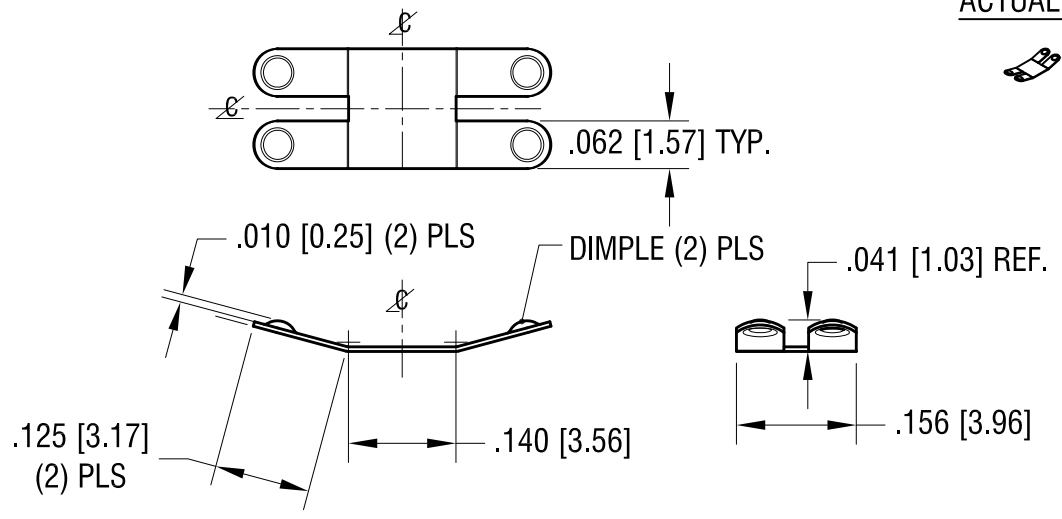
BATTERY DIA.	L
20mm	.336 [8.5]
23mm	.395 [10.0]



MTG LAY OUT WHEN USE WITH P/N 110

BATTERY DIA.	L
20mm	.370 [9.4]
23mm	.429 [10.9]
24mm	.448 [11.4]
30mm	.567 [14.4]

**ACTUAL SIZE**

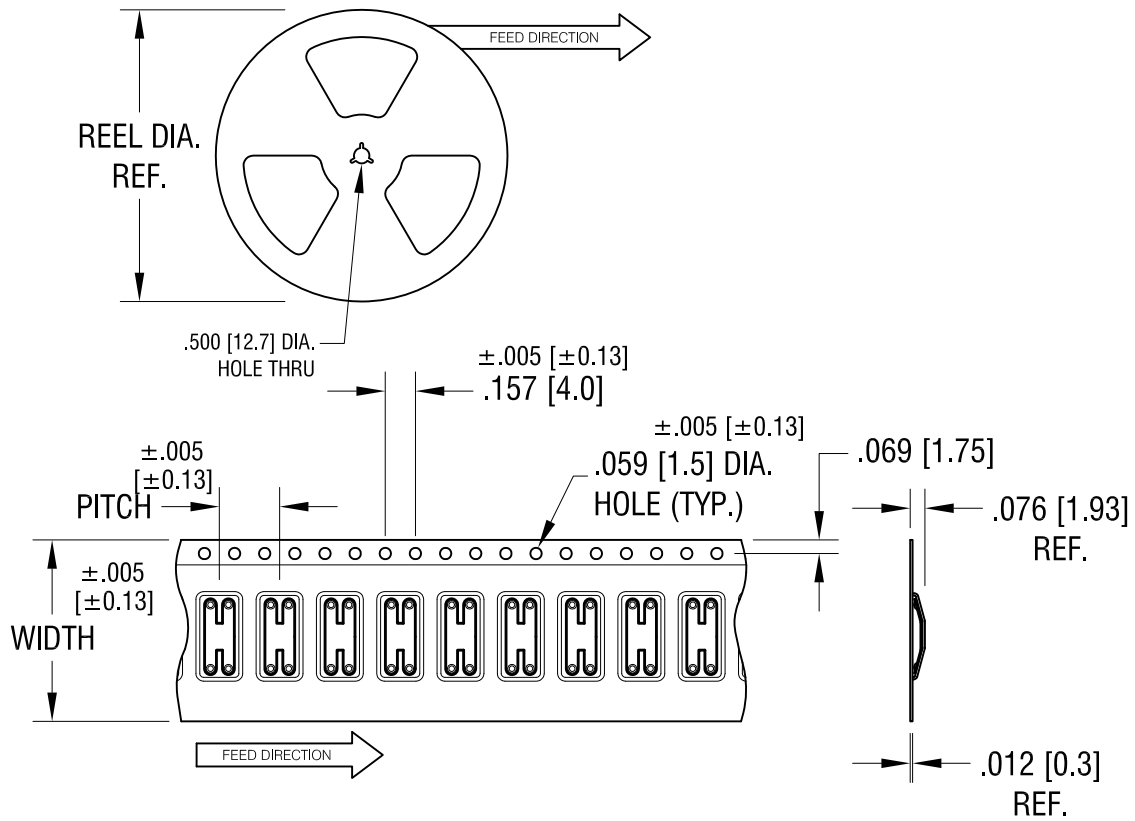


11.13.15	CHANGE AS PER ECN 15-134	F
9.21.15	CHANGE AS PER ECN 15-104	E
12.11.14	CHANGE AS PER ECN 14-121	D
7.24.14	CHANGE AS PER ECN 14-075	C
1.29.14	CHANGE AS PER ECN 14-011	B
12.02.13	CHANGE AS PER ECN 13-104	A
DATE	DESCRIPTION	REV.

<b>KEYSTONE ELECTRONICS CORP.</b>		
www.keyelco.com • ASTORIA, N.Y. 11105-2017 • Tel (718) 956-8900		
PART NAME <b>NEGATIVE BATTERY CONTACT</b>		
MATERIAL <b>.006 [0.15] TH'K STAINLESS STEEL</b>		
FINISH <b>GOLD PLATE</b>		DRN BY NT
		DATE 10.07.13
		APP'D LN
		SCALE 4X
TOLERANCES INCH [MM]	CODE	DWG NO.
DECIMAL ± .005 [± 0.13]	C	
ANGULAR ± 1°		
UNLESS OTHERWISE SPECIFIED		

**112**

THIS DOCUMENT IS THE PROPERTY OF  
KEYSTONE ELECTRONICS CORP. AND  
SHALL NOT BE REPRODUCED, DISTRIBUTED  
OR USED AS A BASIS FOR MANUFACTURE  
WITHOUT PRIOR WRITTEN PERMISSION  
FROM KEYSTONE ELECTRONICS CORP.



**NOTE:**

**1. TAPE AND REEL SPECIFICATIONS:**

TAPE: MAT'L - ALL CONDUCTIVE POLYSTYRENE CARRIER  
ANSI/EIA-481 STANDARD, 24 MM WIDE; 8 MM PITCH  
REEL: 13.0 [1330] DIA. 5000 PIECES OF P/N 112 REV.D PER REEL.

<b>KEYSTONE ELECTRONICS CORP.</b>			
www.keyelco.com • ASTORIA, N.Y. 11105-2017 • Tel (718) 956-8900			
PART NAME		CONTACT ON TAPE AND REEL	
MATERIAL		AS NOTED	
FINISH		DRN BY	DATE
AS NOTED		HAMILTON	10.07.13
		APP'D	SCALE
		LN	N/A
TOLERANCES	INCH [MM]	CODE	DWG NO.
DECIMAL	± .010 [± 0.25]	C	<b>112TR</b>
ANGULAR	± 1°		
UNLESS OTHERWISE SPECIFIED			

12.11.14	CHANGE AS PER ECN 14-122	A
DATE	DESCRIPTION	REV.