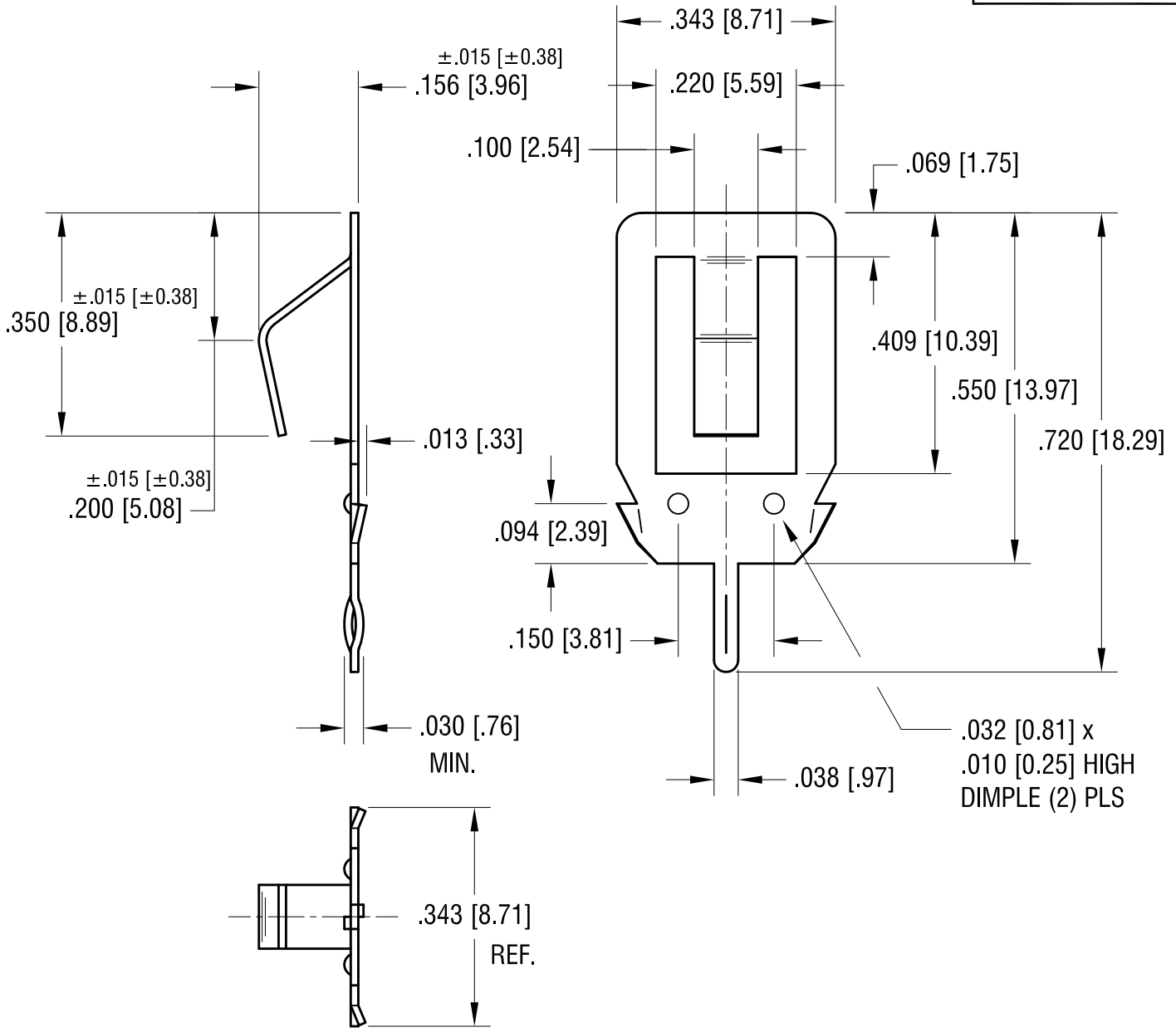


THIS DOCUMENT IS THE PROPERTY OF
KEYSTONE ELECTRONICS CORP. AND
SHALL NOT BE REPRODUCED, DISTRIBUTED
OR USED AS A BASIS FOR MANUFACTURE
WITHOUT PRIOR WRITTEN PERMISSION
FROM KEYSTONE ELECTRONICS CORP.



| | | |
|---------|--------------------------|------|
| 8.27.09 | CHANGE AS PER ECN 09-121 | F |
| 8.27.04 | CHANGE AS PER ECN 04-076 | E |
| DATE | DESCRIPTION | REV. |

| | | | |
|--|---------------------------|--------|--------------|
| KEYSTONE ELECTRONICS CORP. | | | |
| ASTORIA, N.Y. 11105-2017 | | | |
| PART NAME | | | |
| PC BATTERY CONTACT | | | |
| MATERIAL | | | |
| .012 [.30] TH'K STAINLESS STEEL, FULL HARD | | | |
| FINISH | | DRN BY | DATE |
| TIN NICKEL PLATE | | BOONE | 5.17.93 |
| | | APP'D | SCALE |
| | | LN | 4X |
| TOLERANCES | INCH [MM] | CODE | DWG NO. |
| DECIMAL | $\pm .005$ [± 0.15] | C | 108-2 |
| ANGULAR | $\pm 1^\circ$ | | |
| UNLESS OTHERWISE SPECIFIED | | | |