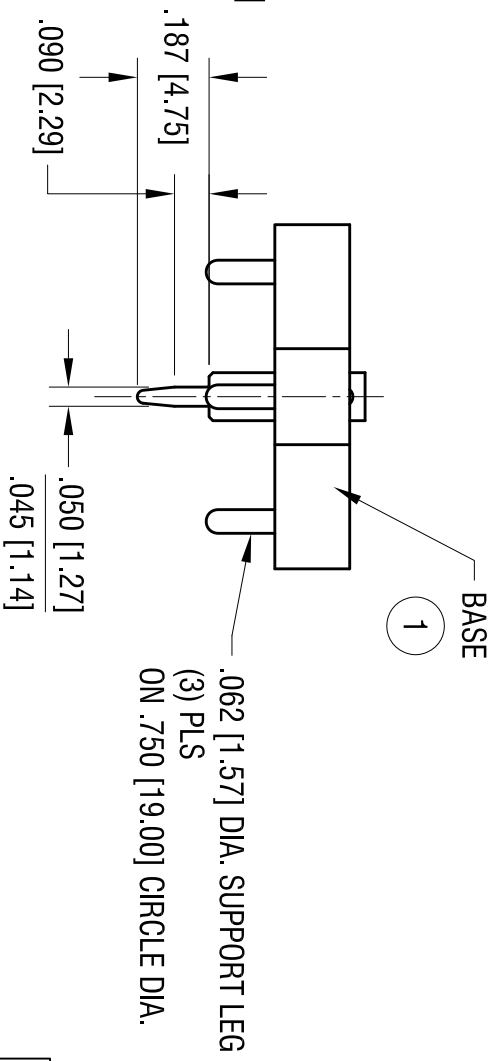
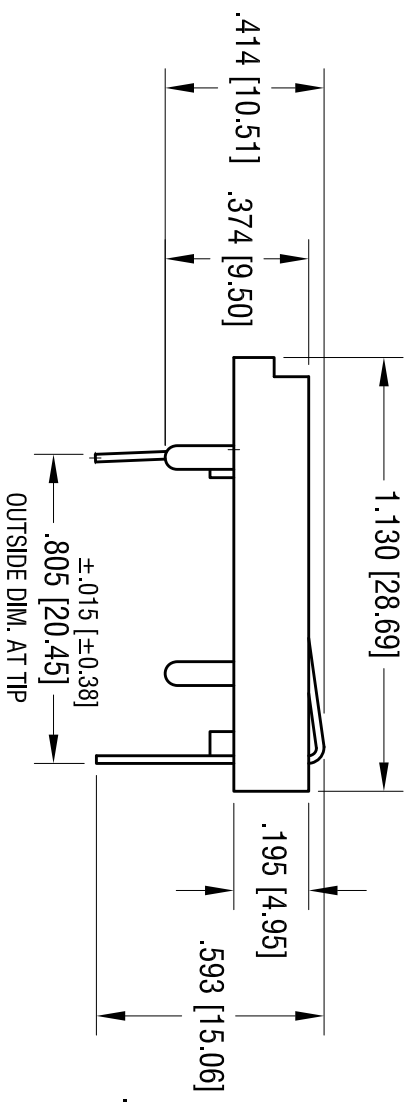
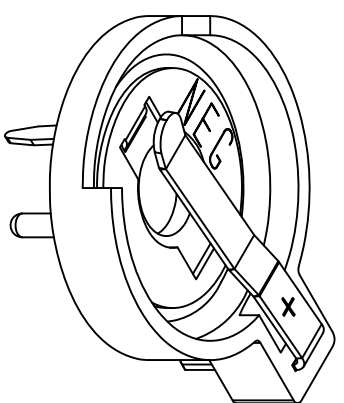
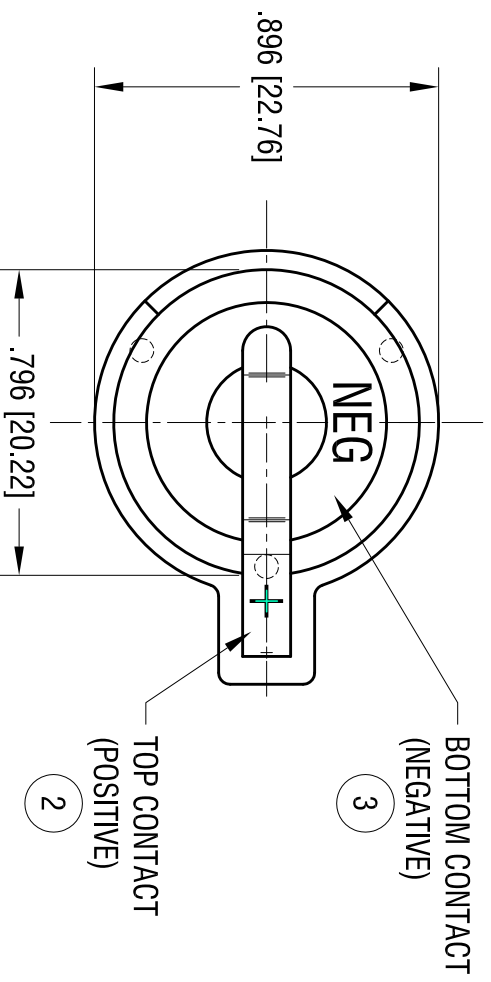


DATE	DESCRIPTION	REV.
11.2.11	CHANGE AS PER ECN 11-144	A



THIS DOCUMENT IS THE PROPERTY OF KEYSTONE ELECTRONICS CORP. AND SHALL NOT BE REPRODUCED, DISTRIBUTED OR TRANSMITTED IN ANY MANNER WITHOUT PRIOR WRITTEN PERMISSION FROM KEYSTONE ELECTRONICS CORP.

KEYSTONE ELECTRONICS CORP.
 www.keystec.com • ASTORIA, N.Y. 11105-2017 • Tel (718) 956-8900

PART NAME
COIN CELL PC BATTERY HOLDER

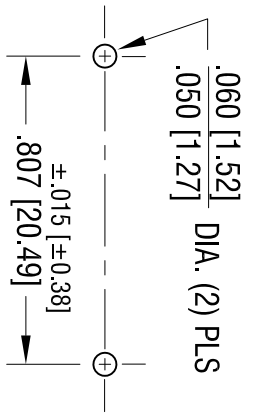
MATERIAL
 AS NOTED

FINISH
 AS NOTED

TOLERANCES
 INCH [MM]
 DECIMAL ± .010 [± 0.25]
 ANGULAR ± 1°

CODE
 C

MOUNTING HOLES



ITEM	DESCRIPTION	MATERIAL/FINISH
1	BASE BLACK	PBT (UL 94V-0)
2	TOP CONTACT	SPRING STEEL .020 [0.50] THK
3	BOTTOM CONTACT	TIN NICKEL PLATE

101