
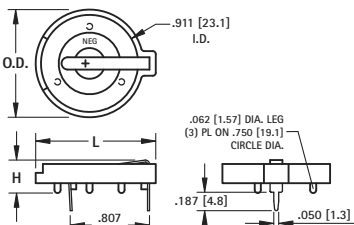


THRU-HOLE (THM) & SURFACE MOUNT (SMT) COIN CELL HOLDERS

23mm



• Advanced air-flow design enhances air circulation around battery
• Unique notched slots assure quick and easy battery insertion and replacement



Thru Hole Mount

• .911 [23.1] I.D.
• .062 [1.57] DIA. LEG (3) PL ON .750 [19.1] CIRCLE DIA.
• .187 [4.8]
• .050 [1.3]
• .045 [1.1]
• .807 [20.5]

Mounting Detail

• .055 [1.4] DIA (2) PLS.
• .807 [20.5]

MATERIAL:
Contacts: .020 (.50) Spring Steel, Tin-Nickel Plate
Base: PBT, UL Rated 94V-0
Operating Temperature: -60°F to +293°F (-50°C to +145°C)

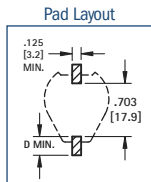
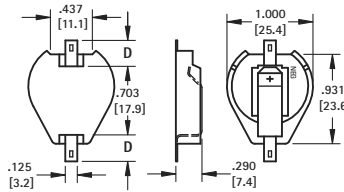
CAT. NO.	H	L	O.D.	NO. OF CELLS	BATTERY REFERENCE
104	.335 (8.5)	1.150 (29.2)	1.000 (25.4)	(1) Cell (Any 23mm)	BR2320, CR2320, CL2325, DL2330, CL2354, CR2335
107	.335 (8.5)	1.219 (31.0)	1.093 (27.8)	(1) Cell (Any 23mm)	
1027	.452 (11.5)	1.219 (31.0)	1.093 (27.8)	(1) 2354 (2) 2320, (2) 2325, (2) 2330	

AVAILABLE ON TAPE AND REEL

- SMT solder tail with "Flow-Hole" design for increased joint strength
- Viewable solder tails assures reliable joint inspection
- All conductive polystyrene carrier tape meets ANSI/EIA - 481 standard



Surface Mount




MATERIAL:
Contacts: .015 (.38) Steel
Base: High Temp Nylon 46, UL Rated 94V-0
Operating Temperature: -60°F to +293°F (-50°C to +145°C)

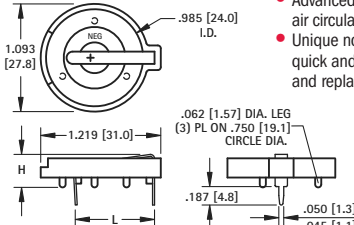
Tin-Nickel Plate		Gold Plate (Flash)		D	BATTERY REFERENCE
CAT. NO. BULK	ON TAPE & REEL	CAT. NO. BULK	ON TAPE & REEL		
1071	1071TR	1091	1091TR	.156 (4.0)	CR2320, CL2325, DL2330, CR2335
1073	1073TR	1083	1083TR	.278 (7.1)	

Tape & Reel Spec's: 44mm wide; 32mm pitch; 13 inch reel, (200 pieces per reel)

24mm



• Advanced air-flow design enhances air circulation around battery
• Unique notched slots assure quick and easy battery insertion and replacement



Thru Hole Mount

• 1.093 [27.8]
• .985 [24.0] I.D.
• .062 [1.57] DIA. LEG (3) PL ON .750 [19.1] CIRCLE DIA.
• .187 [4.8]
• .050 [1.3]
• .045 [1.1]

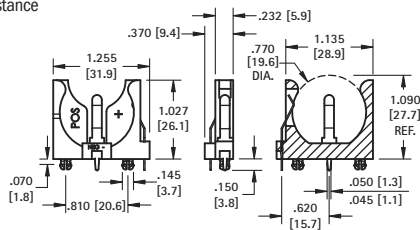
Mounting Detail

• .055 [1.4] DIA (2) PLS.

MATERIAL:
Base: PBT, UL Rated 94V-0
Contacts: .020 (.50) Spring Steel, Tin-Nickel Plate
Operating Temperature: -60°F to +293°F (-50°C to +145°C)

CAT. NO.	C	H	L	NO. OF CELLS	BATTERY REFERENCE
105	.064 (1.6)	.335 (8.5)	.805 (20.5)	(1) 2430	CR2430, CL2430, BR2450, CR2477
1025	.074 (1.9)	.452 (11.5)	.805 (20.5)	(1) 2450 (2) 2430	
1025-7	.074 (1.9)	.503 (12.8)	.805 (20.5)	(1) 2477	
				(2) 2430	

- Polarized holder
- Mounts securely for wave soldering
- Reliable spring tension assures low contact resistance

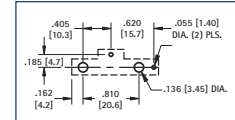


Thru Hole Mount


MATERIAL:
Base: PBT, UL Rated 94V-0
Contacts: .020 (.50) Spring Steel, Tin-Nickel Plate
Operating Temperature: -60°F to +293°F (-50°C to +145°C)

CAT. NO.	BATTERY REFERENCE
1068	(1) CR2450, (1) CL2450

Mounting Detail

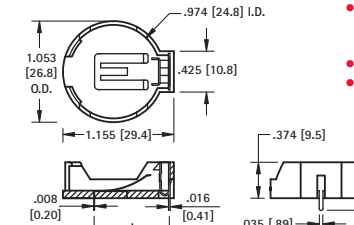


24mm TOP Loading



AUTO-IN/EZ-OUT

• Battery "Pop-in" from Top for automated assembly
• No tools required
• Finger pressure battery release



Thru Hole Mount

• 1.053 [26.8] O.D.
• .974 [24.8] I.D.
• .425 [10.8]
• 1.155 [29.4]
• .374 [9.5]
• .035 [89] MIN
• .150 [3.2]
• .016 [0.41]
• .008 [0.20]

Mounting Detail

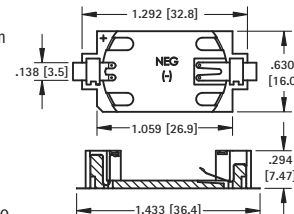
• .055 [1.4] DIA (2) PLS.

MATERIAL:
Contacts: Phosphor Bronze, Nickel Plate
Base: High Temp Nylon 46, UL Rated 94V-0
Operating Temperature: -60°F to +293°F (-50°C to +145°C)

CAT. NO.	L	C	BATTERY REFERENCE
1053	.788 (20.0)	.048 (1.2)	(1) CR2450

AVAILABLE ON TAPE AND REEL

- Polarized holder
- Low profile for densely packed PCB's
- Compatible with vacuum and mechanical pick & place systems
- Conductive carrier tape meets ANSA/EIA- 481 standard



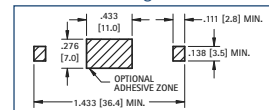
Surface Mount

MATERIAL:
Base: LCP, UL Rated 94V-0
Contacts: .006 (.15) Phosphor Bronze, Gold Plate (Flash)
Operating Temperature: -60°F to +293°F (-50°C to +145°C)


CAT. NO. BULK	ON TAPE & REEL	BATTERY REFERENCE
1052	1052TR	(1) CR2450

Tape & Reel Spec's: 56mm wide; 20mm pitch; 13 inch reel, (400 pieces per reel)

Mounting Detail



30mm



Thru Hole Mount

MATERIAL:
Contacts: .020 (.50) Spring Steel, Tin-Nickel Plate
Base: PBT, UL Rated 94V-0
Operating Temperature: -60°F to +293°F (-50°C to +145°C)

CAT. NO.	BATTERY REFERENCE
301	BR3032

